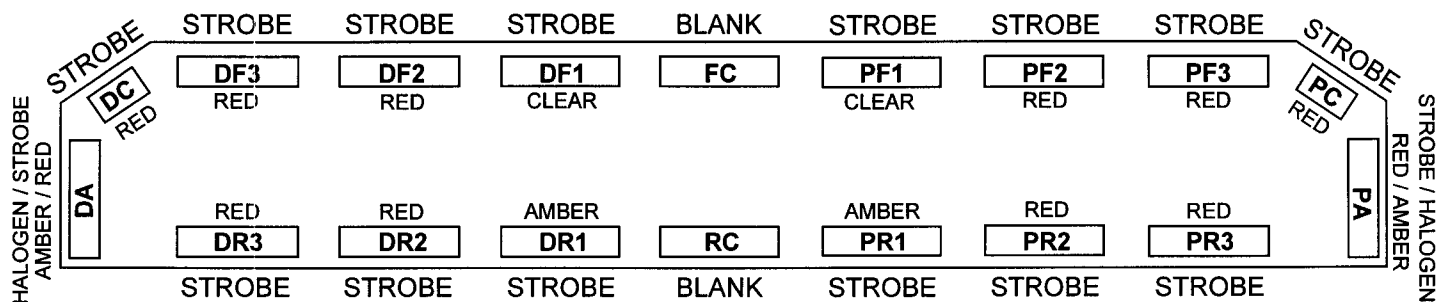


NEOBE LIGHTING
THE LOOK OF NEON
WITH THE POWER OF STROBE

930N-6407-PS02

HELIOBE™ LIGHTBAR



LIGHTBAR OPTIONS

- 930-PRE Preemption Emitter
- 890HP Upgrade

LIGHTBAR OPTIONS - Only One Allowable

- Takedown - Steadyburn Halogen in FC*
 - Front Flasher Halogen in FC*
 - 930-PRE2-1C - Clear Single Head Preemption Emitter (Coded PRE Optional) in FC
- * Lamp color selection will determine NFPA allowable mode operation

*The 930N-6407-PS02 lightbar is designed to be used as part of the Tomar Pumper System-2 NFPA 1901 Certified System.

The only changes in lamp colors allowable are as follows:

- Forward facing Red lamps (DC-PC) may be changed to Blue
- Red DA & PA strobes may be changed to Blue or Amber
- Rear facing Red lamps (DR3-PR3) may be changed to Blue or Amber

Revision: 02-11-2003

10 YEAR WARRANTY!

This product is covered by TOMAR's standard warranty except the warranty period is extended to 10 years for the power supply.

2100 WEST OBISPO AVE.
 GILBERT, AZ 85233



PHONE: 800-338-3133
 FAX: 800-688-6627