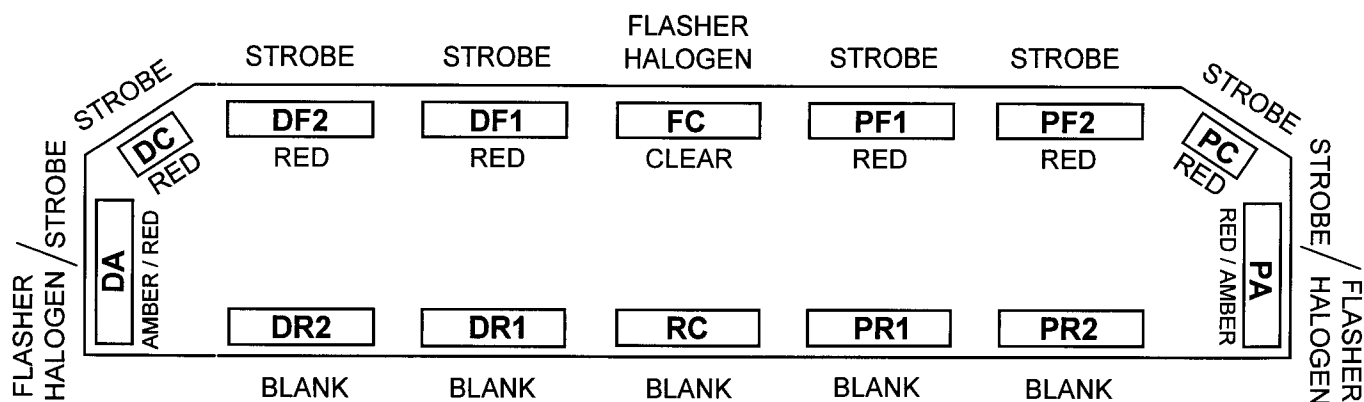


**NEOBE LIGHTING**  
THE LOOK OF NEON  
WITH THE POWER OF STROBE

**930N1-4805-PS03 HELIOBE™ LIGHTBAR**



#### LIGHTBAR OPTIONS

- 930-PRE Preemption Emitter
- 930-PRE2-1C - Single Head Preemption Emitter in FC (Coded PRE Optional)
- 890-HP Upgrade

\* The 930N1-4805-PS03 lightbar can be used in a Tomar Pumper System-3 NFPA Certified System.

The only changes in lamp colors allowable are as follows:

- Red lamps may be changed to Blue
- DA & PA may be solid Amber

REVISION: 10-10-2002

#### **10 YEAR WARRANTY!**

This product is covered by TOMAR's standard warranty except the warranty period is extended to 10 years for the power supply.

2100 WEST OBISPO AVE.  
GILBERT, AZ 85233



PHONE: 800-338-3133  
FAX: 800-688-6627