



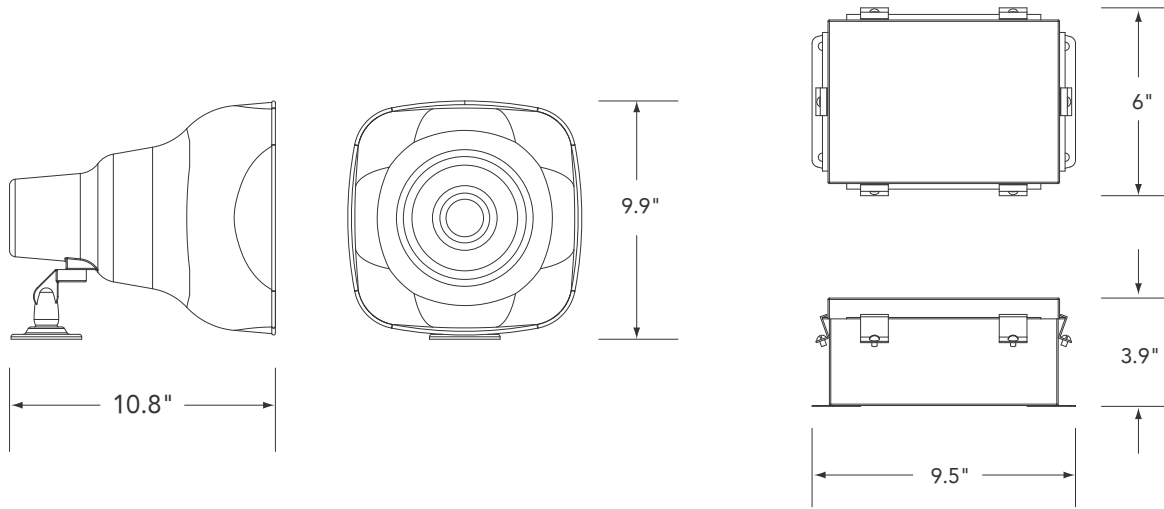
1000 and 1100 Power Alarm® Siren

TOMAR's POWER ALARM® SIREN is a heavy duty industrial audible alarm designed to operate under adverse industrial conditions such as shock, vibration, or transient voltage surges. The models 1000 and 1100 Power Alarms feature a choice of field selectable tones plus remote control selection of 4 tones with priority.

- weatherproof construction
- low power consumption
- choice of 8 sounds
- battery back-up option
- remote control with priority
- NEMA 4X / 3R

Ordering Information

Model No.	Description	Voltage
1000-120	Power alarm less speaker	120/240VAC
1100-250	Power alarm less speaker	250VDC
1100-1224	Power alarm less speaker	12-24 VDC



Specifications

Item	Description
Sound Output	S7 SPL @ 10 feet = 112dB
Circuitry Enclosure	NEMA 4 weatherproof enclosure
Speaker/Driver	100% weatherproof, all metal
Ambient Temperature Range	-55° C to +85° C -67° F to +185° F
Power Requirements	model 1000-120 120/240VAC 0.5/0.25A model 1100-250 250VDC 0.25A Model 1100-1224 12/24 VDC 0.7A
Sounds	S1 Continuously running train of 8 sounds in sequence S2 Wail - conventional siren S3 Yelp - rapid siren S4 Two - tone S5 Whoop - ascending low-high S6 Yeow - descending high-low S7 Horn - steady S8 Beep - slow intermittent horn S9 Stutter - rapid intermittent horn S0 REMOTE - enables remote selection of: S7 Horn - steady (priority 1) (highest priority) S4 Two Tone - alternating (priority 2) S3 Yelp - rapid siren (priority 3) S1 Wail - manual siren (priority 4)

Available Options

NOTE: All "/" options are factory installed only.

Model No.	Description
MULTISOUND	Sound module with 8 sounds plus remote control
1001	Speaker only
RJ45-6	6 foot remote cable to control dual sounds
/1000BBU	12 or 24VDC backup battery input option
/1001	Speaker
/SSA	NEMA 4X stainless steel enclosure option