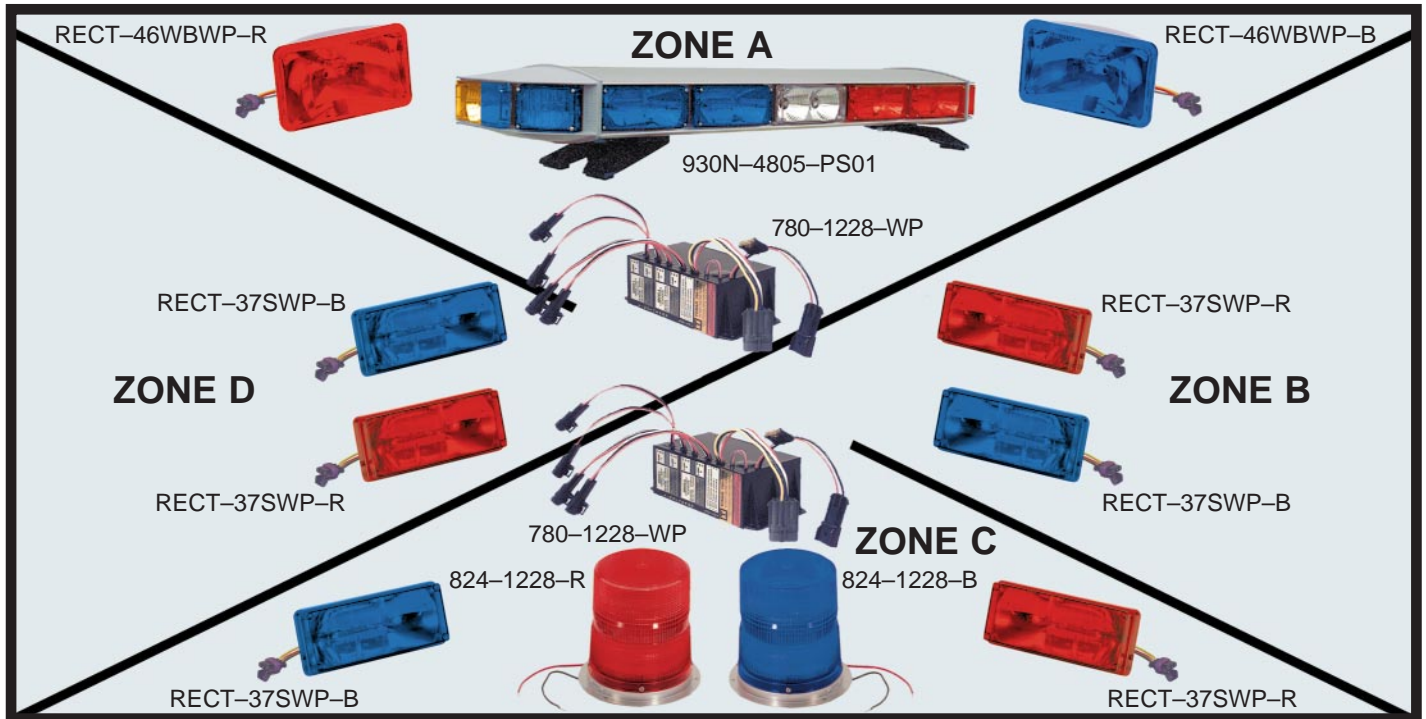


PUMPER-1 NFPA RED/BLUE SYSTEM

EMERGENCY FIRE APPARATUS WARNING LIGHT SYSTEM

NFPA-1901 CERTIFIED



The TOMAR Pumper-1 System features the HELIOBE™ lightbar—the most visible, durable warning light ever devised for public safety use. HELIOBE™ lightbars use TOMAR’s NEOBE® technology, providing the look of neon with the power of strobe. The NEOBE® design produces more light per watt than any strobe power supply on the market. The TOMAR Pumper-1 System meets and exceeds all SAE and NFPA 1901-1999 requirements.

ORDERING INDEX

Catalog No. PUMPER-1 Material List

Qty.	Item
Zone A	
1	930N-4805-PS01
1	RECT-46WBWP-R
1	RECT-46WBWP-B
Zone B	
1	RECT-37SWP-B
1	RECT-37SWP-R
Zone C	
1	RECT-37SWP-B
1	RECT-37SWP-R
1	824-1228-R
1	824-1228-B
Zone D	
1	RECT-37SWP-B
1	RECT-37SWP-R
2	780-1228-WP
Misc. System Control Switch	

Options

/PRE Traffic preemption dual frequency

SPECIFICATIONS

Clearing the Right of Way

Zone A	Provided	Required
Upper	1,190,000	1,000,000
Lower	240,000	150,000

Zone B	Provided	Required
Upper	430,000	400,000
Lower	365,000	150,000

Zone C	Provided	Required
Upper	1,120,000	400,000
Lower	390,000	150,000

Zone D	Provided	Required
Upper	425,000	400,000
Lower	365,000	150,000

Average amperage: 36.55

Blocking the Right of Way

Zone A	Provided	Required
Upper	705,000	400,000
Lower	240,000	150,000

Zone B	Provided	Required
Upper	410,000	400,000
Lower	365,000	150,000

Zone C	Provided	Required
Upper	1,210,000	800,000
Lower	390,000	150,000

Zone D	Provided	Required
Upper	405,000	400,000
Lower	365,000	150,000

Average amperage: 34.30

Note: The photometric data provided is for the complete lighting system. Additional lighting may be added, provided the average amperage draw does not exceed NFPA guidelines of 45 amps for one midship light, 50 amps for two midship lights and 55 amps for three midship lights.

2100 WEST OBISPO
GILBERT, AZ. 85233



PHONE: 800-338-3133
FAX: 800-688-6627

TOMAR PUMPER-1 SYSTEM

Emergency Fire Apparatus Warning Light System in accordance with NFPA-1901-1999

System:

<u>Zone Placement</u>	<u>Qty.</u>	<u>Tomar Part #</u>	<u>Description</u>
Zone A - Upper	1	930N-4805-PS01	930N-4805-PS01 Red/Blue Lightbars 14 Lamps Total - 10 Strobe, 2 Halogen-Flashers, and 2 Halogen-Flasher/Strobes as Follows: 1 Clear Halogen-Flasher - Front Center 2 Red Strobes - Front Driver Side 2 Blue Strobes - Front Passenger Side 1 Red Strobe - 45 Degree Front Corner - Driver Side 1 Blue Strobe - 45 Degree Front Corner - Passenger Side 1 Amber/Red Halogen-Flasher/Strobe - Alley Driver Side 1 Amber/Blue Halogen-Flasher/Strobe - Alley Passenger Side 1 Amber Halogen-Flasher - Rear Center 2 Red Strobes - Rear Driver Side 2 Blue Strobes - Rear Passenger Side
Zone C - Upper	1	824-1228-B	824-1228-Blue Maxistrobe
	1	824-1228-R	824-1228-Red Maxistrobe
Zone A - Lower	1	RECT-46WBWP-R	RECT-46 Wide Beam Red Waterproof Strobe Lamp
	1	RECT-46WBWP-B	RECT-46 Wide Beam Blue Waterproof Strobe Lamp
Zone B - Lower	1	RECT-37SWP-R	RECT-37S-Red Waterproof Strobe Lamp
	1	RECT-37SWP-B	RECT-37S-Blue Waterproof Strobe Lamp
Zone C - Lower	1	RECT-37SWP-R	RECT-37S-Red Waterproof Strobe Lamp
	1	RECT-37SWP-B	RECT-37S-Blue Waterproof Strobe Lamp
Zone D - Lower	1	RECT-37SWP-R	RECT-37S-Red Waterproof Strobe Lamp
	1	RECT-37SWP-B	RECT-37S-Blue Waterproof Strobe Lamp
	2	780-1228-WP	780-1228 4 Head NEOBE® Waterproof Power Supply

NOTE: Based on the length of your apparatus, one or more midship lamps may need to be added in lower zones B and D to ensure warning lamp coverage every 25 feet.

Operating Description:

The TOMAR Pumper-1 System is operated in the following modes:

For "Clearing the Right of Way"

- Upper Level All of the lamps on the 930N-4805-PS01 Lightbar operating in High Intensity with Clear and Amber Halogen-Flasher Lamps operating.
The 824-1228's operating in either double or multiflash mode.
- Lower Level The 780-1228 Power Supplies operating in **Pursuit** (Hyper) Flash Rate, High Intensity.

For "Blocking the Right of Way"

- Upper Level All of the lamps on the 930N-4805-PS01 Lightbar operating in High Intensity with Clear Halogen-Flasher Front Center Lamp NOT operating, and Amber Halogen-Flasher Rear Center Lamp operating.
The 824-1228's operating in either double or multiflash mode.
- Lower Level The 780-1228 Power Supplies operating in **Normal** (Neobe) Flash Rate, High Intensity.

Substitutions permissible to the Upper Level warning light system to comply with NFPA standards include but are not limited to the following selections:

1. Red lamps may be substituted with Blue or Amber (if zone permissible).
2. The Lightbar length may be increased to add additional strobes (with additional power supplies as needed) or halogen lamps (with or without 930-Flasher-12V), provided that the additional amperage draw does not exceed NFPA guidelines.
3. The 824-1228-Red may be substituted with either Blue or Amber and the 824-1228-Blue may be substituted with Amber.

Substitutions permissible to Lower Level warning light system to comply with NFPA standards include but are not limited to the following selections:

1. The 780-1228 Power Supplies in the Lower Level may be operated in either Normal or Pursuit Flash Rate.
2. The RECT-37SWP-Red may be substituted with any other zone permissible color(s).
3. The RECT-37SWP-Red may be substituted with a RECT-79SWP-Red or any other zone permissible color(s).
4. The use of Bezels (RECT-37-TSMF and RECT-79-TSMF) on Lower Level optical sources.
5. The RECT-46WBWP-Blue may be substituted with a RECT-46WBWP-Red or any other zone permissible color(s).
6. The RECT-46WBWP's may be substituted with RECT-46NBWP's.
7. The RECT-46WBWP's may be substituted with RECT-37SWP or RECT-79SWP.
8. The 780-1228 Power Supply operating the Lower Level optical sources may be substituted with any of the following:
770P-1228 Power Supply 782-1228 Power Supply
772-1228 Power Supply 786-1228 Power Supply
776-1228 Power Supply

NOTE: System amperage limitations on last page; substitute and add accordingly.

