



## RECT-46 Series

### 4" x 6" Rectangular Lamps

The model RECT-46 family of remote rectangular lamps is designed to be used with one of TOMAR's high efficiency power supplies or halogen controllers. The RECT-46 lamps have an optional adapter that allow retrofitting into most head lamp warning light sockets on the front of fire vehicles. TOMAR's RECT-46 series features a sealed beam lamp, and the choice of wide beam or narrow beam optics, and are available with both standard or waterproof connectors.

- 100% watertight
- extremely durable chrome reflector
- fits all popular emergency vehicles
- available in five lens colors



**RECT-46SWB**  
Strobe Wide Beam

The RECT-46S features a sealed beam strobe lamp, potted trigger coil, and wide beam optics. Available in both standard or waterproof connectors.



**RECT-46SNB**  
Strobe Narrow Beam

The RECT-46S features a sealed beam strobe lamp, potted trigger coil, and narrow beam optics. Available in both standard and waterproof connectors.



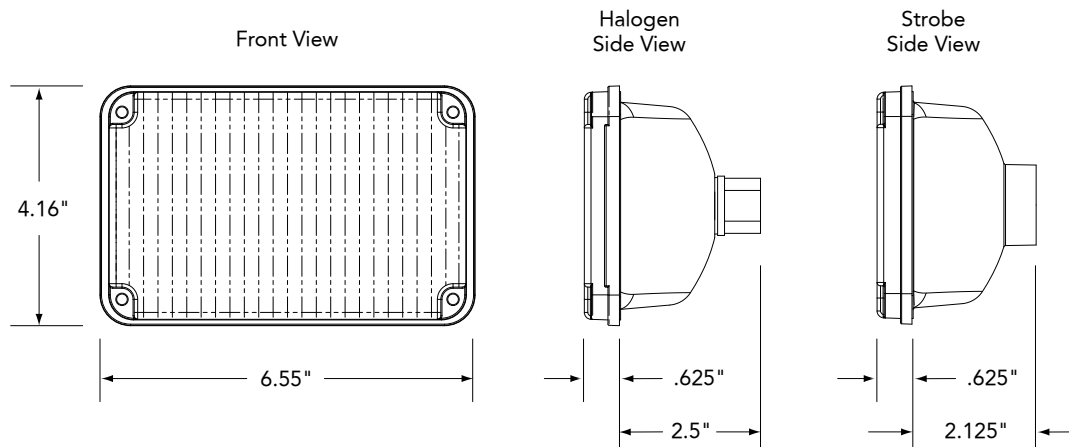
**RECT-46HWB**  
Halogen Wide Beam

The RECT-46H features a single 12V, 37 watt halogen lamp which is replaceable and waterproof.



**RECT-46HNB**  
Halogen Narrow Beam

The RECT-46H features a single 12V, 37 watt halogen lamp which is replaceable and waterproof.



## Available Lens Colors:



Amber



Blue



Clear



Green



Red

## Ordering Information

Please specify lens colors and model number when ordering.

Model No.	Description
RECT-46SWB	Strobe, Wide Beam, 4" x 6" rectangular lamp
RECT-46SWBWP	Strobe, Wide Beam, 4" x 6" rectangular lamp with waterproof connector
RECT-46SNB	Strobe, Narrow Beam, 4" x 6" rectangular lamp
RECT-46SNBWP	Strobe, Narrow Beam, 4" x 6" rectangular lamp with waterproof connector
RECT-46HWB	Halogen, Wide Beam, 4" x 6" rectangular lamp
RECT-46HNB	Halogen, Narrow Beam, 4" x 6" rectangular lamp

See page C32-C33 for a complete list of available mounting accessories.