

# LED SERIES LIGHTHEADS

## RECT-46L Series

4" x 6" LED Rectangular Lamps



- ultra-high intensity LED's
- wide angle optical lens
- fits all popular emergency vehicles
- five year warranty
- available in many color configurations

The RECT-46L LED lamp family features ultra-high intensity LED's and has a new optical wide angle lens designed to meet the latest KKK ambulance specifications. The lamps are designed for 12-28 VDC operation and have potted electronics for the ultimate in reliability. Expected life is 100,000 hours. Warranty is five years from date of purchase. The lamps come complete with mounting hardware and integrated 12" leads. The RECT-46L series is designed to fit all TOMAR 4" x 6" mounting bezel. The RECT-46L uses TOMAR's wide angle optics, which give a full intensity beam at  $\pm 45$  horizontal degrees off axis, making the TOMAR LED the widest angle light in the marketplace! Meets SAE J845 and SAE J1889.



Amber



Blue



Clear



Green



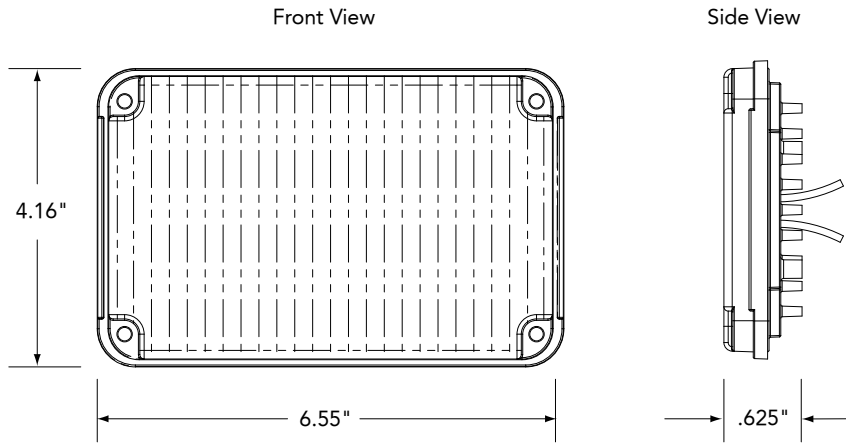
Red

### Ordering Information

Please specify lens colors and model number when ordering. Available colors are Amber, Blue, Clear, Green and Red.

Model No.	Description
RECT-46LW	Clear lens, single LED color, single flashing
RECT-46LLW	Clear lens, single or dual LED color, dual flashing (left/right)
RECT-46LLVW	Clear lens, single or dual LED color, dual flashing (top/bottom)
RECT-46CLW	Color lens, single LED color, single flashing
RECT-46CLLW	Color lens, single LED color, dual flashing (left/right)
RECT-46CLLVW	Color lens, single LED color, dual flashing (top/bottom)

# RECT-46L SERIES LIGHTHEADS



## RECT-46L Lamp Configurations and Available Colors

Wire Leads	Color
CLW	
CLLW	
CLLW	
LW	
LLW	
LLW	

## Ordering Example

RECT - 46 - LLW - RR

46 - 4" x 6" rectangular lamp      See available colors above

LW	Clear lens, single LED color, single flashing	CLW	Color lens, single LED color, single flashing
LLW	Clear lens, single or dual LED color, dual flashing ( left/right )	CLLW	Color lens, single LED color, dual flashing ( left/right )
LLW	Clear lens, single or dual LED color, dual flashing ( top/bottom )	CLLW	Color lens, single LED color, dual flashing ( top/bottom )

## Specifications

Item	Description
Voltage	10 thru 30VDC
Current Draw	0.9A @ 12VDC 0.45A @ 28VDC
Warranty	Extended 5 year warranty

See page C32-C33 for a complete list of available mounting accessories.