

470, 700, 490S, 495S, 800, 801

Remote Lightheads

TOMAR's remote strobe lightheads are designed to be used with all TOMAR's strobe or NEOBE® remote power supplies. TOMAR's remote strobe lightheads feature 360° Lexan® lenses. The model 801 remote strobe head features a low profile Lexan® MINI LITE lens and a lightweight base that can be flange mounted, 1/2" pipe mounted, or surface mounted. The model 800 remote strobe head features a medium profile Lexan® lens and a lightweight base that can be flange mounted, 1/2" pipe mounted, or surface mounted. All models have replaceable plug-in lamps except for the 470-R1 and 700-R1 which are hermetically sealed assemblies.



470-R1
Strobe

700-R1
Strobe

490S-R1
Strobe

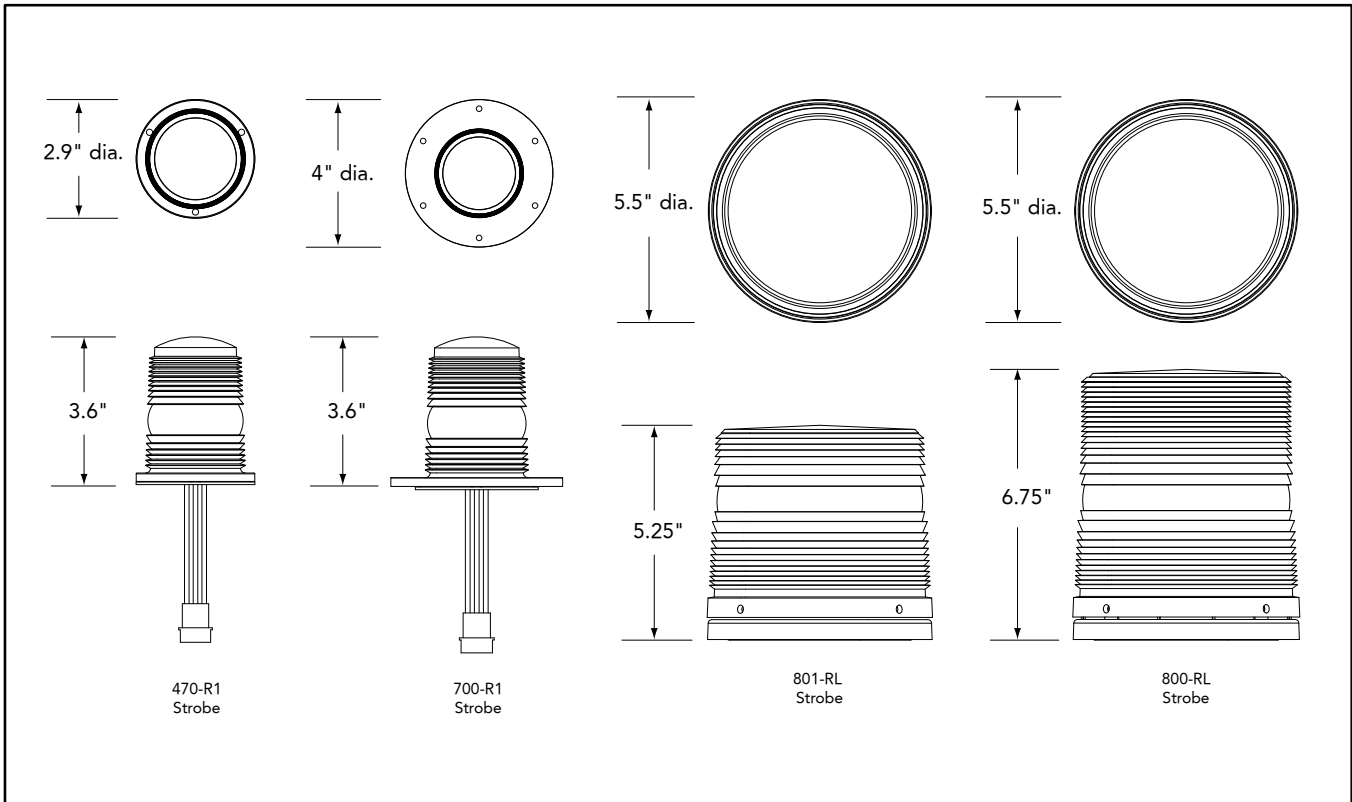
801-RL
Strobe

800-RL
Strobe

Ordering Information

Please specify lens colors and model number when ordering. Available colors are Amber, Blue, Clear, Green, Purple(except 490S-R1) and Red.

Model No.	Description
470-R1	Hermetically sealed, 6" leads, 3.25" high
700-R1	Hermetically sealed, flange mount, 3.25" high
490S-R1	Low profile, 1/2" pipe hub, 6" leads, 5" high
495S-R1	Low profile, 1/2" male thread mount, 5" high
490S-RL-20	Low profile, 1/2" pipe hub, 20' cable, 5" high
495S-RL-20	Low profile, 1/2" male thread, 20' cable, 5" high
801-RL	Pipe mount, 6" leads
801-RL-WP	Pipe mount, 6" leads, waterproof connector
801-RL-15	Pipe mount, 15' cable
800-RL	Pipe mount, 6" leads
800-RL-WP	Pipe mount, 6" leads, waterproof connector
800-RL-15	Pipe mount, 15' cable



Specifications

Item	Description
Lamp Type	470-RL xenon strobe lamp (models 800, 801) 3001 xenon strobe lamp (model 490-R1)
Size and Weight	3.6" tall x 2.9" dia. (99.4mm x 73.7mm) -- model 470 5.0" tall x 3.0" dia. (127mm x 76.2mm) -- model 490 3.6" tall x 4.0" dia. (99.4mm x 101.6mm) -- model 700 5.25" tall x 5.5 dia. (133mm x 140mm) -- model 801 6.75" tall x 5.5 dia. (171mm x 140mm) -- model 800

Available Options

NOTE: All "/" options are factory installed only.

Model No.	Description
700-DC	Clear lens dust cover (model 700-RL)
/LBO-MINI	180° lens blackout segment (models 470, 490, 495, 700)
802-03	Clear lens dust cover (model 801)
1250-03	Clear lens dust cover (model 800)
/LBO-MINILITE	Lens blackout segment 180° (model 801)
/LBO-MAXI	Lens blackout segment 180° (model 800)
TBO-MAXI	Top lens blackout segment (models 800, 801)
G802	Heavy duty guard (model 801)
G800	Heavy duty guard (model 800)
800-R1-BASE	Base and lamp assembly including lamp (models 800, 801)
800-FLG	Flange mounting ring (models 800, 801)