



BExBG10

Xenon Beacon

Tomar Electronics flameproof BExBG10 xenon beacon is suitable for Zone 1, 2, 21 & 22 applications. It is approved to IECEx, ATEX, Ex EAC and INMETRO standards.

The BExBG10 10 Joule beacon's robust construction enables installation in the harshest of environments. Additional features include automatic synchronization on multi-beacon systems and standard stainless steel guard and mounting bracket. The BEx range features enclosures manufactured from corrosion proof, marine grade copper free LM6 aluminum with a chromate and powder coat finish. All models have two M20 cable entries, large termination areas containing in & out terminals and an ingress protection of IP66/67.

- Marine grade, corrosion proof, LM6 aluminum enclosure
- Automatic synchronization on multi-beacon system.
- Beacons can be set to 'flip-flop' alternating mode with other units on multi-beacon systems.
- Xenon tubes mechanically secured against shock & vibration
- Glass lens & Stainless Steel guard standard
- Very large termination area.
- Dual M20 cable entries - adaptors available.
- Stopping plug included.
- Ratchet adjustable stainless steel 'U' bracket.
- Reverse polarity diode fitted.
- IP66/67 ingress protection.
- 380 candela effective light intensity.
- UV stable PC, field replaceable, color lens filter.

Approvals

- IECEx KEM 10.0002X
- IEC 60079-0 : 2011
- IEC 60079-1 : 2007-4
- IEC 60079-31 : 2013

- ATEX KEMA 00ATEX2006X
- EN 60079-0 : 2012 + A11
- EN 60079-1 : 2007
- EN 60079-31 : 2014

- TR-CU Ex EAC certificate: RU C-GB.AA71.B.00109

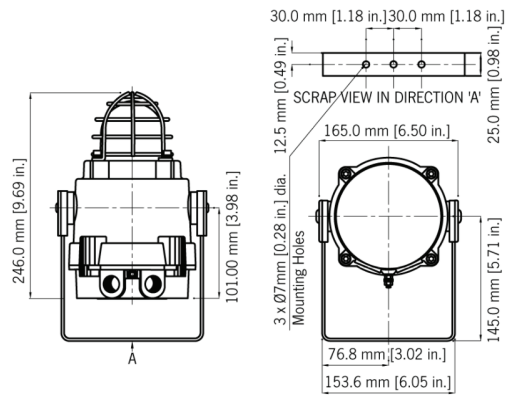
- Available safety-integrity level: SIL2

- Inmetro certificate: 10-IEEx-0010

Coding

- II 2G Ex d IIC T4 Gb Ta. -50°C to +50°C
- II 2G Ex d IIC T3 Gb Ta. -50°C to +70°C
- II 2D Ex tb IIIC T120°C Db Ta. -50°C to +40°C
- II 2D Ex tb IIIC T135°C Db Ta. -50°C to +55°C
- II 2D Ex tb IIIC T150°C Db Ta. -50°C to +70°C





Specifications

Item	Description
Energy	10 Joules (15Ws)
Flash Rate	1Hz (60 fpm)
Peak Candela	1,000,000 cd - calculated from energy (J)
Eff. Intensity cd	500 cd - calculated from energy (J)
Peak Candela	87,590 cd* - measured ref. to I.E.S.
Eff. Intensity cd	380 cd* - measured ref. to I.E.S.
Lens colors	Amber, Blue, Clear, Green, Magenta, Red & Yellow
Voltages DC	12 vdc; 24vdc; 48vdc
Voltages AC	115vac; 230vac
Ingress protection	BG 10D: IP66/67 BG 10E: IP66
Enclosure material	Marine grade copper free LM6 Aluminum
Enclosure finish	Chromate & powder coated finish - anti-corrosion
Color	RAL3000 Red
Cable entries	Dual M20 ISO (one stopping plug incl.)
Terminals	0.5 - 2.5mm ² (20-14 AWG)
Enclosure volume	<2 liters
DC Line monitoring	Blocking diode included EOL Min. 500 Ohm 2w, or 3k3 Ohm 0.5w resistor or diode
Grounding stud	M5
Temperature range	-50° to +70°C (-58°F to +158°F)
Relative humidity	90% at 20°C [68°F]
Tube life	Emissions are reduced to 70% after 8 million flashes
Weight	DC:2.45kg/5.39lbs AC: 2.75kg/6.05lbs

*All candela data is representative of performance with clear lens at optimum voltage

Ordering Information

Please specify lens color when ordering: Amber, Blue, Clear, Green, Magenta, Red, Yellow

Model	Description	Voltage	Current
BExBG10-012-(lens color)	10 Joule strobe	10-14 VDC	1.45 A
BExBG10-024-(lens color)	10 Joule strobe	20-28 VDC	660mA
BExBG10-048-(lens color)	10 Joule strobe	42-54 VDC	340mA
BExBG10-115-(lens color)	10 Joule strobe 50Hz/60Hz	+/- 10%	250mA
BExBG10-230-(lens color)	10 Joule strobe 50Hz/60Hz	+/- 10%	110mA

2 x M20 cable entries; brass stopping plug. 304 (A2) Stainless steel mounting bracket and lens guard

BExBG10

Xenon Beacon