



BExCL110-L2

Omni-directional Alarm Horn & LED Beacon

The flameproof BExCL110-L2-R combination omni-directional alarm horn sounder and high output LED beacon is suitable for Zone 1, 2, 21 & 22 applications. Approved to IECEx and ATEX standards.

The unique radial horn on the compact BExCL110-L2-R distributes the audible warning signal omnidirectionally allowing the visual signal to be orientated optimally. Sound level outputs are up to 115dB (A) at 1 meter with a choice of 32 alarm tones and 3 remotely selectable stages. The LED beacon contains an array of 4 high output, multi-function L.E.D.s. with a total of 7 modes of operation - 5 flashing modes and 2 steady modes for use in indicator / status applications. DC voltage versions feature three remotely selectable stages enabling multiple warnings to be signaled from one device.

- Marine grade, corrosion proof, LM6 aluminum enclosure
- Omni-directional sound output.
- Automatic synchronization on multi-beacon & sounder systems.
- Beacons can be set to 'flip-flop' alternating mode with other units on multi-beacon systems.
- Very large termination area.
- Dual M20 cable entries - adaptors available.
- Stopping plug included.
- Ratchet adjustable stainless steel 'U' bracket.
- Reverse polarity diode fitted.
- IP66/67 ingress protection.
- 160 candela effective light intensity.
- UV stable PC, field replaceable, color lens filters.

Approvals

- IECEx KEM 10.0025X
- IEC 60079-0 : 2011
- IEC 60079-1 : 2007-4
- IEC 60079-31 : 2013

- ATEX KEMA 01ATEX2223X
- EN 60079-0 : 2012 + A11
- EN 60079-1 : 2007
- EN 60079-31 : 2014

- TR-CU Ex EAC certificate: RU C-GB.AA71.B.00109

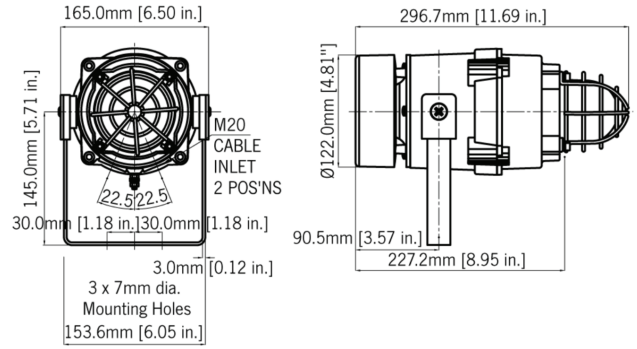
Coding

- II 2G Ex d IIB T5 Gb Ta. -50°C to +50°C
- II 2G Ex d IIB T4 Gb Ta. -50°C to +70°C
- II 2D Ex tb IIIC T70°C Db Ta. -50°C to +40°C
- II 2D Ex tb IIIC T85°C Db Ta. -50°C to +55°C
- II 2D Ex tb IIIC T100°C Db Ta. -50°C to +70°C



Specifications Sounder/Horn

Item	Description
Maximum output	115dB (A) @ 1 meter [106dB (A) @ 10ft/3m]
Nominal output	110dB (A) @ 1m +/- 3dB - Tone 2 [101dB (A) @ 10ft/3m]
No. of tones	32 (UKOOA / PFEER compliant)
No. of stages	3
Volume control	Max. 110dB (A); Min. 72dB (A) - Tone 2
Effective range	100m/328ft @ 1 KHz
Voltages	24V dc; 48V dc; 115V ac; 230V ac
Storage switching	Negative or positive



LED Beacon

Item	Description
Source	Array of 4 x High Power Cree® LED's
Modes	1Hz flash (60 fpm), 1.5Hz flash (90 fpm), 2Hz flash (120 fpm), Double strike flash, Triple strike flash, High Power Steady, Low Power Steady
Eff. Intensity cd	87 cd - High Power Steady
Eff. Intensity cd	160 cd - 1Hz flash
Voltages	24V dc; 48V dc; 115V ac; 230V ac

General

Item	Description
Ingress protection	IP66/67
Enclosure material	Marine grade copper free LM6 Aluminum
Enclosure finish	Chromate & powder coated
Horn material	High impact UL94 V0 & 5VA FR ABS (Red)
Cable entries	Dual M20 ISO (one stopping plug incl.)
Terminals	0.5 - 2.5mm ² (20-14 AWG)
Enclosure volume	<2 liters
Line monitoring	Blocking diode included EOL Min. 500 Ohm 2w, or 3k3 Ohm 0.5w resistor or diode (DC versions) can be fitted
Grounding stud	M5
Temperature range	-50° to +70°C (-58°F to +158°F)
Relative humidity	90% at 20°C [68°F]
Weight	4.80kg/10.56lbs AC: 5.00kg/11lbs

SPL data +/-3dB (A), Candela with clear lens - at optimum voltage

Ordering Information

Please specify lens color when ordering: Amber, Blue, Clear, Green, Magenta, Red, Yellow

Model	Alarm Sounder Voltage	Current	LED Beacon Voltage	Steady-High Current	Steady-Low Current	Flashing Current
BExCL110-024-(lens color)	24 VDC +/-25%	265mA	18-54 VDC	240mA	134mA	110mA
BExCL110-115-(lens color)	115 VAC +/-10% 50Hz/60Hz	110mA	+/- 10%	95mA	78mA	90mA
BExCL110-230-(lens color)	230 VAC +/-10% 50Hz/60Hz	56mA	+/- 10%	48mA	37mA	45mA

2 x M20 cable entries; brass stopping plug. 304 (A2) Stainless steel mounting bracket and lens guard

32 onboard selectable tones:

Please visit our web site for full description and sound files

BExCL110-L2

Omni-directional
Alarm Horn & LED Beacon