



## D1xL1F

### 15 Watt PA Loudspeaker

The Tomar D1xL1F is a 15W PA loudspeaker with re-entrant flare horn. A high Sound Pressure Level in a robust type 4/4X, IP66 marine grade, corrosion proof aluminum enclosure ensures the D1xL1F is suitable for all Class I & II Division 1 & Zone 1 & 20 explosion proof applications.

The re-entrant flare horn is high impact, fire retardant ABS and is field replaceable - the driver employs a standard 1 3/8" -18 male thread coupling. All models have triple cable entries, and large termination areas. The termination chamber and cover feature a threaded flameproof joint simplifying both installation and routine maintenance.

#### Approvals

- UL File ref: E230764
- UL1203 Ed. 5
- CAN/CSA C22.2 No. 25-1966
- CSA C22.2 No. 30-M1986
- CSA C22.2 No. 205-12
- UL1480 Ed. 6

Commercial and professional use

#### Coding

##### • A1: Gas version

NEC / CEC:

- Class I Div 1 ABCD T6 Ta -40°C to +70°C
- Class I Div 2 ABCD T6 Ta -40°C to +70°C
- Class I Zone 1, 2 IIC T6 Ta -40°C to +70°C

##### • D1: Dust version

NEC / CEC:

- Class II Div 1 FG T6 Ta -40°C to +70°C
- Class II Div 2 FG T6 Ta -40°C to +70°C
- Class III Div 1 & 2
- Zone 20, 21, 22 IIIB Ta -40°C to +70°C
- Protection concept: Ex d / AEx d



- High output
- Compact form factor
- Multiple transformer tapping
- Field replaceable flare component
- Robust corrosion proof aluminum enclosure
- Ratchet adjustable stainless steel bracket
- Stainless steel fixings
- Triple cable entries
- Duplicate cable terminations
- Threaded cover joint for fast installation



## Ratings:

### A1: Gas version

NEC / CEC:

Class I Div. 1 ABCD T6 Ta -40°C to +70°C

Class I Div. 2 ABCD T6 Ta -40°C to +70°C

Class I Zone 1 IIC T6 Ta -40°C to +70°C

### D1: Dust version

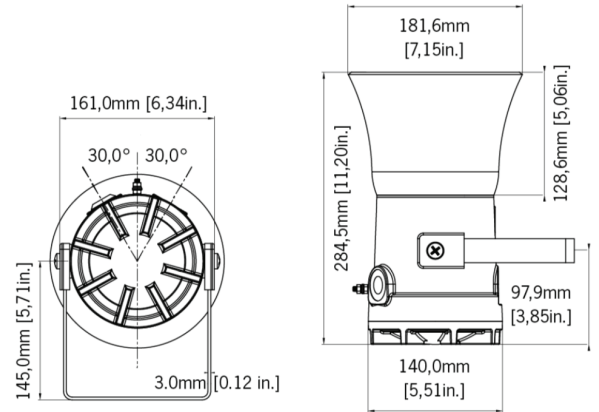
NEC / CEC:

Class II Div. 1 FG T6 Ta -40°C to +70°C

Class II Div. 2 FG T6 Ta -40°C to +70°C

Class III Div. 1&2

Zone 20 IIIB Ta -40°C to +70°C



## Specifications

Item	Description
SPL (Gas version)	102dB +/-3dB @ 1W @ 1m (Pink) 113dB +/-3dB @ 15W @ 1m (Rated)
SPL (Dust version)	83dB +/-3dB @ 1W @ 1m (Pink) 95dB +/-3dB @ 15W @ 1m (Rated)
Rated power	15 Watts RMS
70v line tapping	15W/7.5W/3W/1W (z=336.67 Ohms/653.33 Ohms/1.6k Ohms/4.9k Ohms)
Low impedance	8 Ohm or 16 Ohm
Directivity Index	6.2 @ 1 kHz & 16.0 @ 4 kHz [dB on-axis]
Frequency range	400Hz to 8000 Hz
DC Line monitoring	2.2µF Capacitor (Transformer) 470µF Capacitor (Low impedance)
Ingress protection	EN60529: IP66 UL50E / NEMA250: 4 / 4X / 3R / 13
Enclosure material	Marine grade aluminum LM6- copper free Chromate & powder coated – corrosion proof
Color	Red (RAL3000), Grey (RAL7038)
Cable entries	1 x 1/2"NPT & 2 x M20 x 1.5mm 1 x 1/2"NPT & 2 x 1/2"NPT 1 x 1/2"NPT & 2 x 3/4"NPT
Terminals	0.5 - 2.5mm <sup>2</sup> (20-14 AWG)
Grounding stud	M5
Operating temp	-40° to +70°C [-40° to +158°F]
Storage temp	-50° to +70°C [-58° to +158°F]
Relative humidity	90% at 20°C [68°F]
Weight	70V line: 4.3kg/9.5lbs
Low imp.	4.0kg/8.7lbs

## Ordering Information

Specify Gas or Dust version when ordering

Model	Line Transformer	Rated Power
D1xL1F	70 VRMS	15 Watts RMS

1 x 1/2" NPT & 2 x M20 x 1.5 mm; brass stopping plug. 304 (A2) Stainless steel mounting bracket

---

# D1xL1F

## 15 Watt PA Loudspeaker