

TOMAR ELECTRONICS INC.

**INSTRUCTION SHEET
T-LED-D Warning Light**

INSTALLER SAFETY MESSAGE

The safe installation of the Tomar T-LED warning Light is your first priority. All instructions listed here should be followed and common sense applied to each installation to insure safety. Tomar field service should be called if you have any question. Some important precautions and instructions:

- Installers should have a good understanding of automotive electrical and mechanical systems. The quality of the installation work should equal or surpass OEM standards.
- DO NOT install equipment or route wiring in the deployment path of an air bag. Check the vehicles owner manual for information on air bag deployment.
- Review all instruction sheets and make sure you thoroughly understand each step of the installation before you start.
- File these instructions in a safe place for future reference and refer to them when maintaining or reinstalling the product.

Perform a final inspection of the installation of the Suction Cup Mount Kit to insure that the T-LED Warning Light is mounted properly. It should be securely fastened to the Mount Kit when pulling on the mounting bracket. Failure to follow all safety procedures and instructions may result in serious injury, property damage or death to you or others.

I. GENERAL INFORMATION

The TLED-D-SC3 Tri Suction Cup Mount Kit allows mounting of the Tomar T-LED warning Light temporarily to a vehicle windshield.

II. UNPACKING

Check to see that you have received the components shown in the illustrations and as listed below.

Qty	Description	Part Number
3	Suction Cup	M2812
3	3-32 X 1/2 SPHMS	H0003
1	Plate, Tri Suction Mount	M2820-P
1	Cord, Safety Restraining	SA1210
1	3/8" External Lock washer	H0147

1	1/4" Flat Washer	H0213
1	1/4-20 Acorn Nut	H0399
1	1/4"-20 Bolt x 1/2"	H0381
3	#6 External lock washer	H0024
3	6-32 X 1/4" ACORN NUT	H0237

III. INSTALLATION

WARNING

When installing equipment inside air bag equipped vehicles, the installer MUST ensure that the equipment is installed ONLY in areas recommended by the vehicle manufacture.

FAILURE to observe this warning will reduce the effectiveness of the air bag, damage the air bag, or may damage or dislodge the equipment, causing serious injury or death to you or others.

- A. Position the suction cup suction release tabs to facilitate their use at the windshield location that the Police Light will be located.
- B. Assemble the suction cup assembly to T-LED Warning Light as shown.

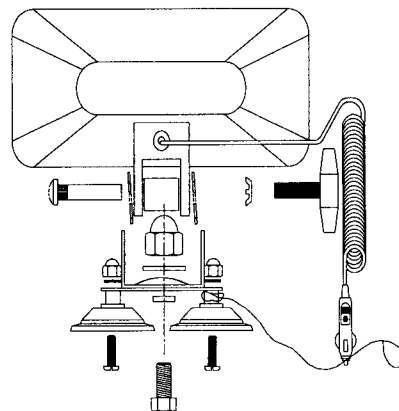


Figure 1

- C. Mount the T-LED warning light assembly to the vehicle windshield in accordance with the vehicle manufactures air bag recommendations by pressing the suction cups against a clean dry windshield in a location that does not obstruct the drivers view. The T-LED warning light is small enough to fit behind most rear view mirrors.
- D. Attach the Safety Restraining Cord to the vehicle to prevent the T-LED warning light from impacting anyone should the suction cups loose their suction.
- E. Plug the cigar plug into any convenient receptacle. Route the cord away from all air bag deployment areas.

OPERATION

SAFETY MESSAGE TO OPERATORS

People's lives depend on your safe use of this product

Please follow the following precautions:

- Although the warning light is functioning properly, it may not be completely effective. People may not see or

heed your warning signal. You must recognize this fact and continue driving cautiously.

- Also, situations may occur which obstruct your warning signal when object are between your vehicle and others, such as: raising your hood or trunk lid.

Failure to follow these safety precautions may result in property damage, serious injury, or death to you, or to others.

WARNING

Suction cup mounting provides a secure, temporary mounting method for use in the interior of a vehicle. Never install the unit on the exterior of a vehicle. The light could fly off the vehicle causing injury or damage.

Press the suction cups against a clean dry windshield. Ensure that the light is orientated to promote maximum coverage.

Suction cup mounting is not a permanent mounting method. Between uses, remove the light assembly from the windshield. Exposure to temperature changes and sunlight will cause the suction cup's holding power to diminish.

AVAILABLE FLASH PATTERNS

- | | |
|---|---|
| 1. Neobe 150 FPM alternating (Factory Default) | 17. Single flash 375 FPM alternating |
| 2. Neobe 150 FPM simultaneous | 18. Single flash 375 FPM simultaneous |
| 3. Neobe 150 FPM combo (2 cycles alt + 2 cycles sim) | 19. Single flash 375 FPM combo (2 cycles alt + 2 cycles sim) |
| 4. Neobe 150 FPM california steady (half 150 FPM, half steady) | 20. Single flash 375 FPM ca. steady (half 375 FPM, half steady) |
| 5. Neobe 75 FPM alternating | 21. Single flash 150 FPM alternating |
| 6. Neobe 75 FPM simultaneous | 22. Single flash 150 FPM simultaneous |
| 7. Neobe 75 FPM combo (2 cycles alt + 2 cycles sim) | 23. Single flash 150 FPM combo (2 cycles alt + 2 cycles sim) |
| 8. Neobe 150 FPM california steady (half 75 FPM, half steady) | 24. Single flash 150 FPM ca. steady (half 150 FPM, half steady) |
| 9. Double flash 250 FPM alternating | 25. Single flash 75 FPM alternating |
| 10. Double flash 250 FPM simultaneous | 26. Single flash 75 FPM simultaneous |
| 11. Double flash 250 FPM combo (2 cycles alt + 2 cycles sim) | 27. Single flash 75 FPM combo (2 cycles alt + 2 cycles sim) |
| 12. Double flash 250 FPM ca. steady (half 250 FPM, half steady) | 28. Single flash 75 FPM ca. steady (half 75 FPM, half steady) |
| 13. Double flash 125 FPM alternating | 29. Steady burn |
| 14. Double flash 125 FPM simultaneous | 30. Multi flash 1 (Patterns 1, 10, 17, 2) |
| 15. Double flash 125 FPM combo (2 cycles alt + 2 cycles sim) | 31. Multi flash 2 (Patterns 5, 14, 21, 26) |
| 16. Double flash 125 FPM ca. steady (half 125 FPM, half steady) | 32. Demo Mode (sequences through all patterns) |

SELECTING FLASH PATTERNS

CYCLE FORWARD

With the unit turned on, press the pattern selection switch once then release. Continue until the desired pattern is reached. The last pattern selected will become the default pattern.

CYCLE BACKWARD

With the unit turned on, press the pattern selection switch twice in less than one second then release. Continue until the desired pattern is reached. The last pattern selected will become the default pattern.

RESET TO PATTERN 1

With the pattern selection switch held down, turn the unit on. Continue to hold for more than 3 seconds then release.

TOMAR ELECTRONICS INC.

2100 w. Obispo Ave
 Gilbert Arizona 85233 USA
 480 -497-4400, 480-497-4416 FAX
www.tomar.com