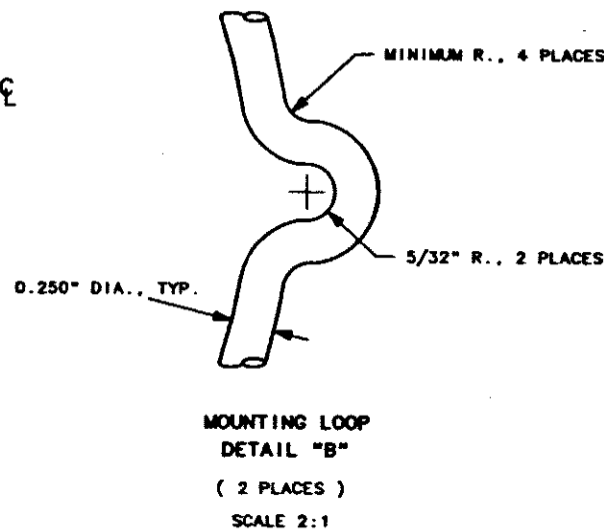
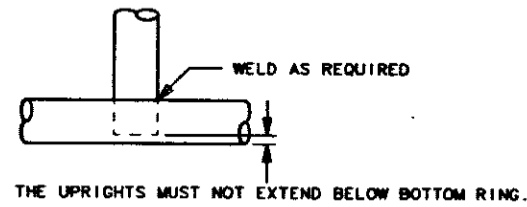
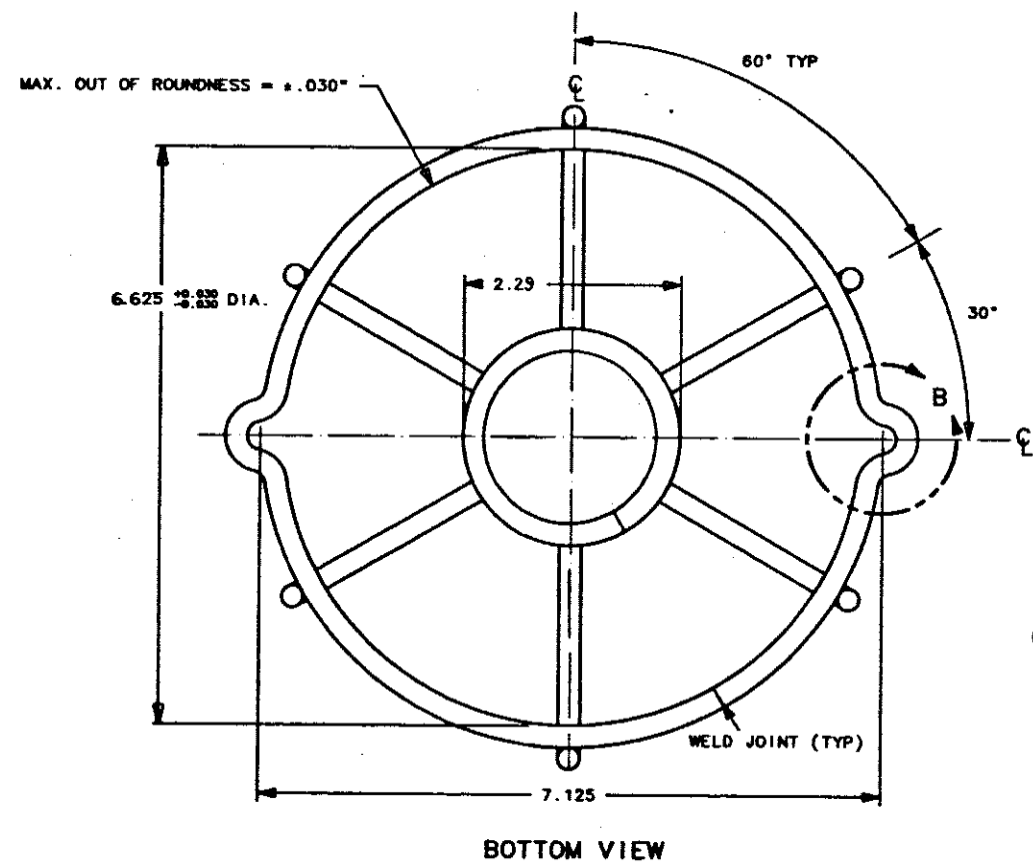


**NOTES:**

1. MATERIAL: .250" DIA. STEEL ROUND, .060" FLAT STEEL TOP RING.
2. WEIGHT: 1.80 LBS EA, UNFINISHED
3. FINISH: PHOSPHATIZE AND POWDER PAINT SAFETY YELLOW.



REVISIONS			UNLESS OTHERWISE SPECIFIED DIMENSIONS ARE IN INCHES TOLERANCES ARE:	TOMAR ELECTRONICS INC.	
REV.	DATE	DESCRIPTION		DECIMALS	304 S. ROCKFORD DRIVE TEMPE, ARIZONA 85281
1	08/08	REDESIGNED	XXX +	<b>MODEL G800</b> <b>MAXI STROBE GUARD</b> <b>TOMAR PART NO. H0238</b>	
2	08/08	ADDED TOP LOOP	XXX +		
			ANGLES +	SCALE FULL & NOTED DRAWN D.E. SMITH 1-08-88 CHECKED _____ ENGINEER _____	
			FRACTIONS +		
			MATERIAL	ASSEMBLY CODE FP PC TE	
			FINISH		
DO NOT SCALE DRAWING				DRAWING NUMBER	
				10874	

