



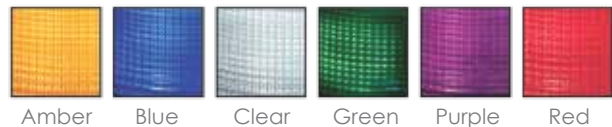
## 804 MAXI I™ STROBE

Medium Profile - Single Flash  
Warning Light

- universal mounting
- built-in RFI filters
- solid state power supply
- 10,000 hour strobe lamp
- five year warranty on power supply
- one year warranty on lamp
- available in six lens colors
- UL listed (AC models only)
- NEMA 4X
- 480 ECP

The model 804 family is a medium profile, single flash strobe light featuring universal mounting, full size 360° Lexan® lens, high efficiency regulated solid state power supply, and heavy duty xenon strobe lamp. All units are polarity protected and have built-in filters to protect against radio interference and spike voltages. The model 804 features a fully potted Lexan®, multi-purpose mounting base which is vibration and water resistant. The 804 also features a field replaceable plug-in strobe lamp and state of the art energy storage capacitor for increased intensity.

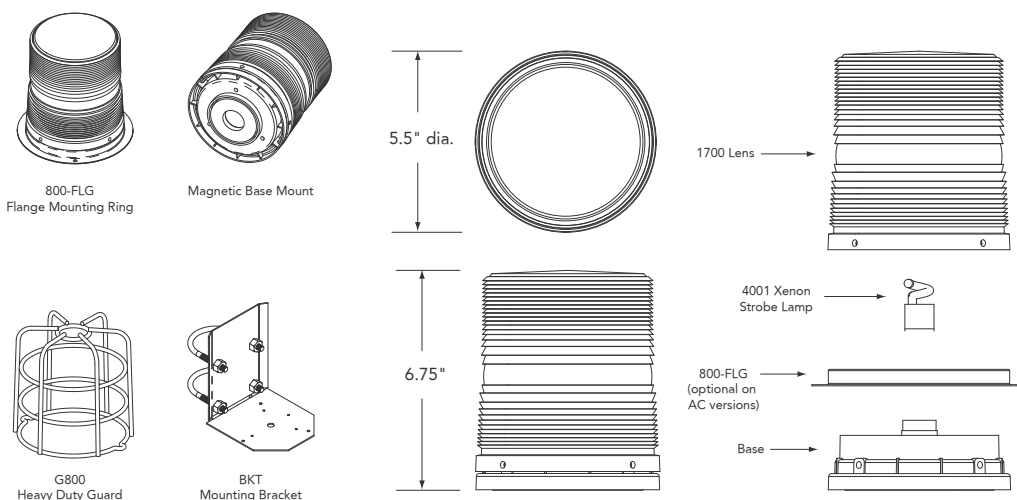
Lens Colors



### Ordering Information

Please specify lens colors and model number when ordering. Available colors are Amber, Blue, Clear, Green, Purple and Red.

Model No.	Description	Voltage, Frequency
804-110	AC strobe with 10" leads, UL listed	120VAC, 50/60Hz
804LC-110	AC strobe with AC cord set, UL listed	120VAC, 50/60Hz
804-240	AC strobe with 10" leads, UL listed	240VAC, 50/60Hz
804-1274	DC strobe with 10" leads	12 - 74VDC
804MB-1274	DC strobe, magnetic mount and 10' coil cord	12 - 74VDC
804MBSC-1274	DC strobe, magnetic mount and 10' straight cord	12 - 74VDC



## Specifications

Item	Description
Flash Rate	80 to 95 flashes per minute
Light Output	480 effective candlepower (ECP)*
Voltage and Amperage	12-74VDC draws 1.25A @ 12V tapering to 0.2A average @ 74V 120VAC draws 0.3A average 240VAC draws 0.3A average
Power Supply Output 11 Watts	8 joules per flash. 800,000 Peak Candlepower**
Operating Temperature	-40 C to 65 C
Size and Weight	6.75" tall x 5.5" dia. x 2.2 lbs ( 171mm x 140mm x 1.0kg )
Encapsulation	Fully potted in urethane material with no exposure to High Voltage possible

## Available Options

NOTE: All "/" options are factory installed only.

Model No.	Description
BKT	Mounting bracket
/LBO-MAXI	Lens blackout segment 180°
800/1250-DC	Clear lens dust cover
G800	Heavy duty guard
TBO-MAXI	Top lens blackout
800-FLG	Chrome flange mounting ring ( standard on DC versions, optional on AC versions )

## Replacement Parts

Model No.	Description
4001	Xenon strobe lamp
1700	Color lens ( please specify color )
801-110-BASE	120VAC power supply
801LC-BASE	120VAC power supply with AC cord set
801MBSC-BASE	120VAC power supply with magnetic mount and straight cord
801-240-BASE	240VAC power supply
801-1274-BASE	12-74VDC power supply
801MB-BASE	12-74VDC power supply with magnetic mount and coil cord

## Architect and Engineer Specifications

The visual signaling beacon shall be Tomar model 804 or approved equal. The light source shall be a plug-in field replaceable single-flash xenon strobe lamp. The warning beacon shall have a Lexan® lens and universal mount base. The warning signal must have built-in RFI filters to protect against radio interference and spike voltages. It shall be polarity protected, and have a power supply fully potted in polyurethane. The beacon shall have an 11 watt power supply, and generate 8 joules per flash at 80 to 95 flashes per minute. Light intensity is to be 480 effective candlepower. Voltage ranges shall be 12-74VDC, 120 VAC, and 240VAC. Strobe light shall be designed to accept a dome guard and mounting bracket.

\*ECP (Effective Candlepower) is the intensity that would appear to an observer if the light were burning steadily.

\*\*Peak Candlepower is the maximum light intensity generated by a flashing light during its light pulse.