



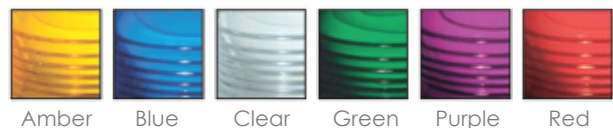
- aluminum housing
- heavy duty construction
- solid state power supply
- 10,000 hour strobe lamp
- two year warranty on power supply
- one year warranty on lamp
- available in six lens colors
- NEMA 3R
- 360 ECP

700-15J MINI STROBE®

High Output Single Flash
Warning Light

The model 700-15J High Output Mini Strobe is similar to the Model 700 Mini Strobe, but features a high power 15 joule power supply which generates 360 Effective Candlepower.

Lens Colors



Ordering Information

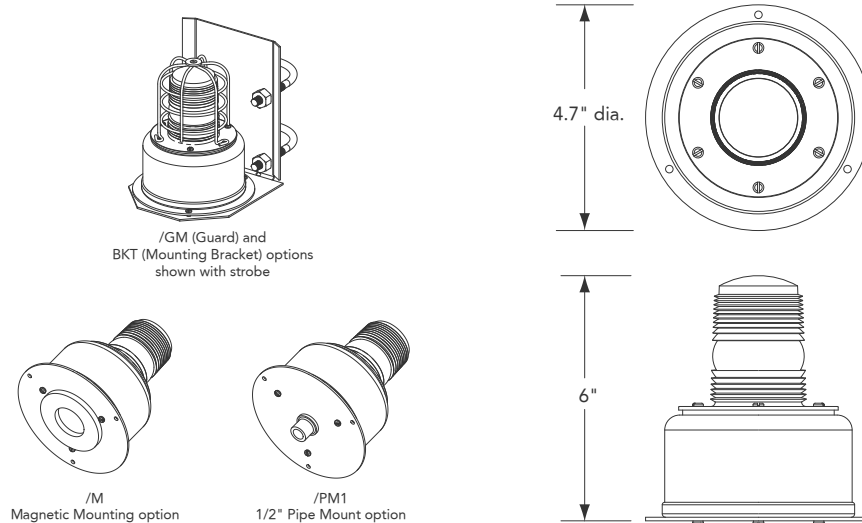
Please specify lens colors and model number when ordering. Available colors are Amber, Blue, Clear, Green, Purple and Red.

Model No.	Description	Voltage/Frequency
700-110-15J	AC strobe, 15 joule	120VAC, 50/60HZ

Mounting Options

NOTE: All "/" options are factory installed only.

Model No.	Description
/PM1	1/2" pipe mount
/M	Magnetic mount #90 magnet



Specifications

Item	Description
Flash Rate	80 to 95 flashes per minute
Light Output	360 effective candlepower (ECP)*
Voltage and Amperage	0.17 @ 120VAC
Power Supply Output 11 Watts	15 joules per flash. 1,500,000 Peak Candlepower**
Size and Weight	6" tall x 4.7" dia. x 1.3 lbs (152mm x 119mm x 0.58kg)

Available Options

NOTE: All "/" options are factory installed only.

Model No.	Description
/GM	Guard
/LBO-MINI	Lens blackout segment 180°
BKT	Bracket

Replacement Parts

Model No.	Description
6001	Xenon strobe lamp (700-110-15J)
700-L	Color lens (please specify color)
700-110-15J-PCB	110-120 VAC 15 joule power supply

Architect and Engineer Specifications

The visual signaling beacon shall be Tomar model 700 or approved equal. The light source shall be a plug-in field replaceable single flash xenon strobe lamp and having a flash rate of 80 to 90 flashes per minute. Housing material shall be aluminum with a 360 degree Lexan® lens, and either flange, magnetic, or pipe mount. Voltage ranges shall be 12-74VDC, 120VAC, 120VDC, and 240VAC. Power supply output shall be 11 watts and generating either 8 or 15 joules per flash depending on the model. Strobe light shall be designed to accept a dome guard, 180 degree lens blackout, and straight or coiled cigar plug.

*ECP (Effective Candlepower) is the intensity that would appear to an observer if the light were burning steadily.

**Peak Candlepower is the maximum light intensity generated by a flashing light during its light pulse.