

7120R POWER STROBE®

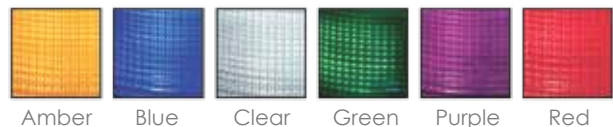
Industrial Heavy Duty Warning Light

Tomar model 7120R is a double-flash strobe designed for heavy duty industrial use in steel mills and large manufacturing plants where very high light output is required. At 40 flashes per minute and 2000 effective candlepower it is Tomar's brightest industrial visual signaling device. It features a remote mounted solid state power supply in a NEMA 4 JIC box and a 1/2" pipe mounted hi-output strobe light head with a 360° Lexan® lens and a long life (24,000 hour) strobe tube.

The 7120R features a built-in synchronizing flash circuit. Each unit contains a built-in RFI filter to protect against harmful electrical interference.

- NEMA 4X enclosure
- 2000 effective candle power
- 24000 hour strobe tube
- built-in synchronizing flash circuit
- built-in RFI filters
- solid state power supply
- two year warranty on power supply
- one year warranty on lamp

Lens Colors



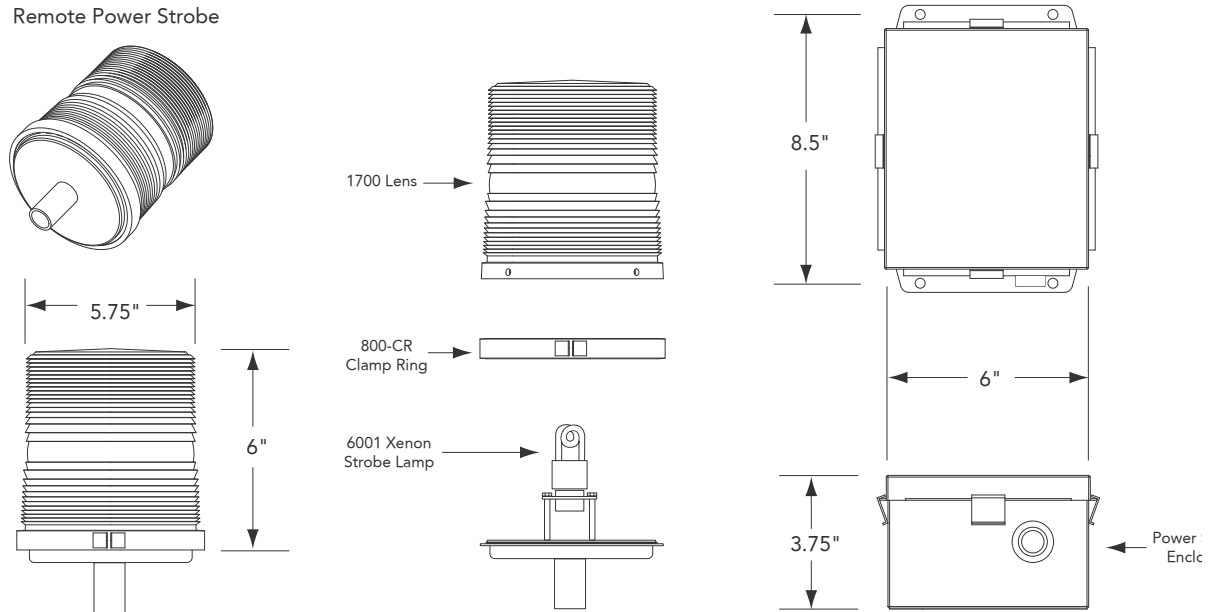
Ordering Information

Please specify lens colors and model number when ordering. Available colors are Amber, Blue, Clear, Green, Purple and Red.

Model No.	Description	Voltage/Frequency
7120R	High power remote strobe NEMA 4X	120VAC

7120R POWER STROBE

Remote Power Strobe



Specifications

Item	Description
Light Output	2000 effective candlepower (ECP)*
Flash Rate	40 DFPM double flashes per minute
Voltage and Amperage	120VAC -- draws 0.4A average
Power Supply Output	26 Watts -- 20 joules per flash. 2,000,000 Peak Candlepower**
Size and Weight	Power Supply Enclosure = 8.25" tall x 6" wide x 4" deep (209mm x 153mm) Remote beacon = 5.5" dia. x 6.75" tall (139mm x 171mm) Total weight = 7lbs. (3.17kg)
Operating Temperature	-25°C to 70°C

Available Options

NOTE: All "/" options are factory installed only.

Model No.	Description
800/1250-DC	Lens dust cover

Replacement Parts

Model No	Description
6001	Xenon strobe lamp (models 3200HP & 7120R)
1700	Color lens (please specify color)

Architect and Engineer Specifications

The visual signaling beacon shall be Tomar model number 7120R series or approved equal. The light source shall be a plug-in field replaceable single-flash xenon strobe lamp. The warning beacon shall have a Lexan® lens and be designed to accept a dome guard. Light intensity is to be 2000 effective candlepower. The beacon must be able to be mounted remotely from the power base, and the strobe tube is to be rated at 24,000 hours lamp life. Voltage shall be 120VAC. Strobe light shall be designed to accept a dome guard and lens dust cover.

*ECP (Effective Candlepower) is the intensity that would appear to an observer if the light were burning steadily.

**Peak Candlepower is the maximum light intensity generated by a flashing light during its light pulse.