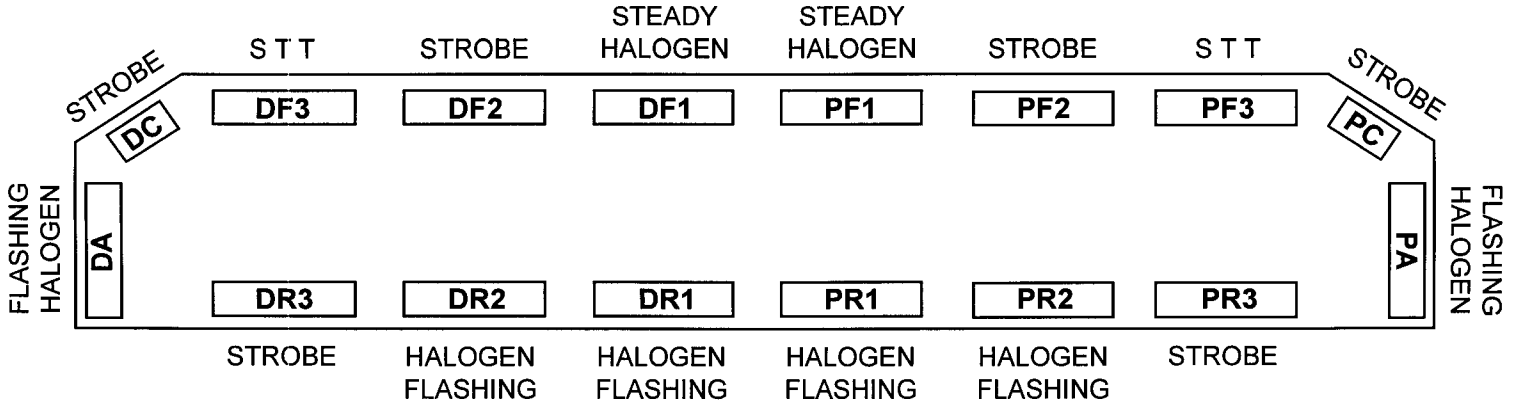


**NEOBE LIGHTING**  
**THE LOOK OF NEON**  
**WITH THE POWER OF STROBE**

**930NH-5606/STT**

**HELIOBE™ LIGHTBAR**  
**WITH**  
**SYNCHRONIZED**  
**NEOBE AND HALOGEN LAMPS**



**LIGHTBAR OPTIONS**

- 890HP Halogen Upgrade
- DF1 & PF1 - Solid or Split Synchronized Flashing Halogen

\* Standard Feature - Stop / Turn / Tail Lights in DF3 & PF3

Revision: 07-24-2002

**10 YEAR WARRANTY!**

This product is covered by TOMAR's standard warranty except the warranty period is extended to 10 years for the power supply.

2100 WEST OBISPO AVE.  
 GILBERT, AZ 85233



PHONE: 800-338-3133  
 FAX: 800-688-6627