



## 500P MICRO LITE™

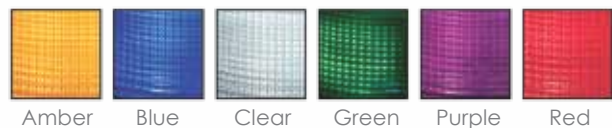
Low Profile - Single Flash Strobe

- 12 – 28VDC
- universal mounting
- built-in RFI filters
- solid state power supply
- 10,000 hour strobe lamp
- two year warranty on power supply
- one year warranty on lamp
- Meets FAA AC 150/5210-5D (Amber Only)
- NEMA 4X

The model 500P family is a low profile single flash strobe light featuring a wide input voltage range of 12–28VDC, universal mounting, Lexan® lens, high efficiency regulated solid state potted power supply, and heavy duty xenon strobe lamp. All units are polarity protected and have built-in filters to protect against radio interference and spike voltages. The model 500P features a fully potted, Lexan®, multi-purpose mounting base which is vibration and water resistant, and a field replaceable plug-in strobe lamp.

Meets FAA Advisory Circular No: AC 150/5210-5D light intensity specifications for Airport Operations Vehicles, Airport Security Vehicles, Airfield Service Vehicles, Aircraft Support Vehicles, and TLTV Aircraft Tow Vehicles.

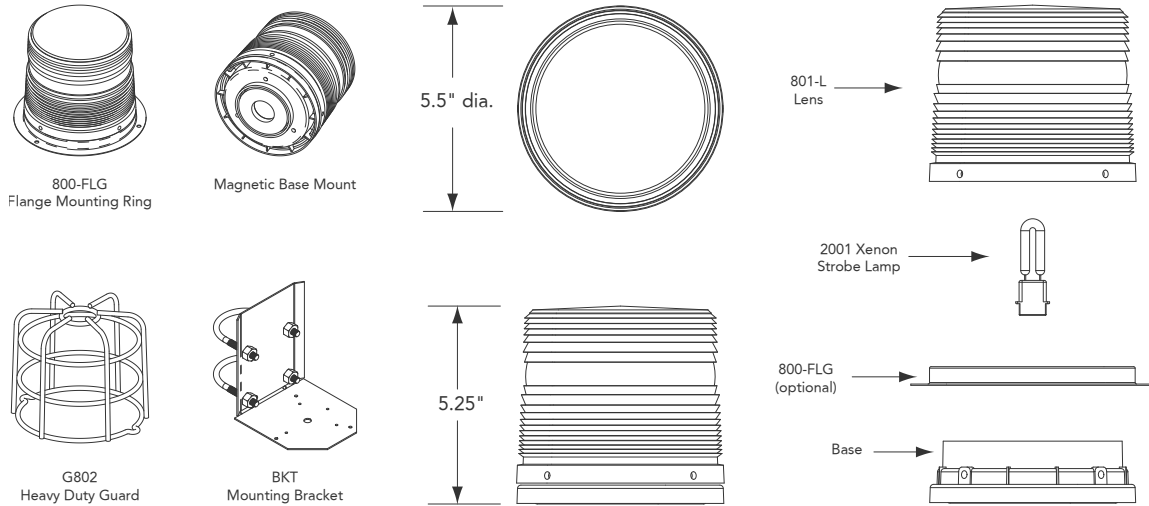
Lens Colors



### Ordering Information

Please specify lens colors and model number when ordering. Available colors are Amber, Blue, Clear, Green, Purple and Red.

Model No.	Description	Voltage
500P-1228	DC strobe, 1/2" female pipe mount	12 – 28VDC
500PMB-1228	DC strobe, magnetic base with 10' coil cord	12 – 28VDC
500PMBSC-1228	DC strobe, magnetic base with 10' straight cord	12 – 28VDC



## Specifications

Item	Description
Flash Rate	70 to 90 flashes per minute
Light Output	200 candela effective from 0° horizontal up to 10° above the horizontal
Voltage and Amperage	12-28VDC draws 0.8A average @ 12VDC tapering to 0.4A average @ 24VDC
Power Supply Output 8 Watts	6 joules per flash
Size and Weight	5.25" tall x 5.5" dia. x 2.0 lbs ( 133mm x 140mm x 0.9kg )
Encapsulation	Fully potted in urethane material with no exposure to High Voltage possible

## Available Options

NOTE: All "/" options are factory installed only.

Model No.	Description
BKT	Mounting bracket
/LBO-MINILITE	Lens blackout segment 180°
802-03	Lens dust cover
G802	Guard
TBO-MAXI	Top lens blackout
800-FLG	Flange mounting ring
MINILITE SHIELD	Vinyl, 180° shield

## Architect and Engineer Specifications

The visual warning signaling device shall be Tomar model 500P or approved equal. The light source shall be a plug-in field replaceable single-flash xenon strobe tube. The strobe light shall have a Lexan® lens and universal mount base. The warning signal must have built-in RFI filters to protect against radio interference and spike voltages. It shall be polarity protected, and have a power supply fully potted in polyurethane. The power supply output shall be 8 watts and generate 6 joules per flash. Voltage shall be multiple input of 12-28VDC. Strobe light shall be designed to accept a dome guard, 180 degree lens blackout, and straight or coiled cigar plug.

## Replacement Parts

Model No.	Description
2001	Xenon strobe lamp
801-L	Color lens ( please specify color )
500P-1228-BASE	12-28VDC power supply
500PMB-BASE	12-28VDC power supply with magnetic base and coil cord
500PMBSC-BASE	12-28VDC power supply with magnetic base and straight cord