

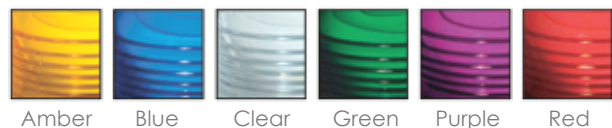


700 MINI STROBE® Single Flash Warning Light

- aluminum housing
- heavy duty construction
- solid state power supply
- 10,000 hour strobe lamp
- two year warranty on power supply
- one year warranty on lamp
- available in six lens colors
- UL recognized (DC models only)
- NEMA 3R
- available in 120 VDC

The model 700 MINI STROBE family is a single flash heavy duty strobe light featuring an all aluminum housing, flange mounting, 360° Lexan® lens, high efficiency regulated solid state power supply and a plug-in field replaceable heavy duty xenon strobe lamp. The 700-1274 will operate over 12-74VDC without making any changes or adjustments. DC models are UL component recognized for use on type E, EE, and ES electric industrial trucks covered by UL standard #583.

Lens Colors



Ordering Information

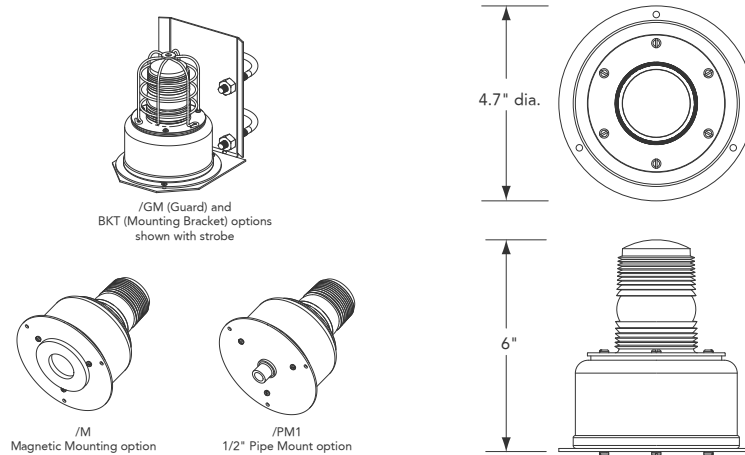
Please specify lens colors and model number when ordering. Available colors are Amber, Blue, Clear, Green, Purple and Red.

Model No.	Description	Voltage/Frequency
700-110	AC strobe	120VAC, 50/60HZ
700-240	AC strobe	240VAC, 50/60HZ
700-1274	DC strobe, UL recognized	12 - 74VDC
700-120DC	DC strobe, UL recognized	120VDC

Mounting Options

NOTE: All "/" options are factory installed only.

Model No.	Description
/PM1	1/2" pipe mount
/M	Magnetic mount #90 magnet



Specifications

Item	Description
Flash Rate	80 to 95 flashes per minute
Light Output	185 effective candlepower (ECP)*
Voltage and Amperage	12-74VDC draws 1.25 A average @ 12VDC tapering to draws 0.2A average @ 74VDC 120VAC draws 0.17A average 120VDC draws 0.1A average 240VAC draws 0.12A average
Power Supply Output 11 Watts	8 joules per flash. 800,000 Peak Candlepower**
Size and Weight	6" tall x 4.7" dia. x 1.3 lbs (152mm x 119mm x 0.58kg)

Available Options

NOTE: All "/" options are factory installed only.

Model No.	Description
/GM	Guard
/CP	10' straight cord and cigar plug
/LBO-MINI	Lens blackout segment 180°
/CC	10' coil cord with cigar plug
BKT	Bracket
/DEMO	Demo prep with battery clamps
MICROSHIELD	Vinyl, 180° lens blackout
700-DC	Clear lens dust cover

Architect and Engineer Specifications

The visual signaling beacon shall be Tomar model 700 or approved equal. The light source shall be a plug-in field replaceable single flash xenon strobe lamp and having a flash rate of 80 to 90 flashes per minute. Housing material shall be aluminum with a 360 degree Lexan® lens, and either flange, magnetic, or pipe mount. Voltage ranges shall be 12-74VDC, 120VAC, 120VDC, and 240VAC. Power supply output shall be 11 watts and generating either 8 or 15 joules per flash depending on the model. Strobe light shall be designed to accept a dome guard, 180 degree lens blackout, and straight or coiled cigar plug.

Replacement Parts

Model No.	Description
3001	Xenon strobe lamp (700 family)
700-L	Color lens (please specify color)
700-PCB-110	110-120 VAC power supply
700-PCB-120DC	120VDC power supply
700-PCB-1274	12-74 VDC power supply
700-110-15J-PCB	110-120 VAC 15 joule power supply

*ECP (Effective Candlepower) is the intensity that would appear to an observer if the light were burning steadily.

**Peak Candlepower is the maximum light intensity generated by a flashing light during its light pulse.