

R14-STB-RWL
Instructions for LED Stop, Tail, and Backup Light



Technical Specifications

Housing material: Thermally conductive polycarbonate
 Lens material: Polycarbonate
 Connection: 14" wire leads
 Voltage range: 12 – 48VDC
 Avg Power consumption: Tail: 0.41W; Stop: 1.38W; Reverse: 1.52W
 Inrush current < 2A
 Current draw max at 22.6°C:

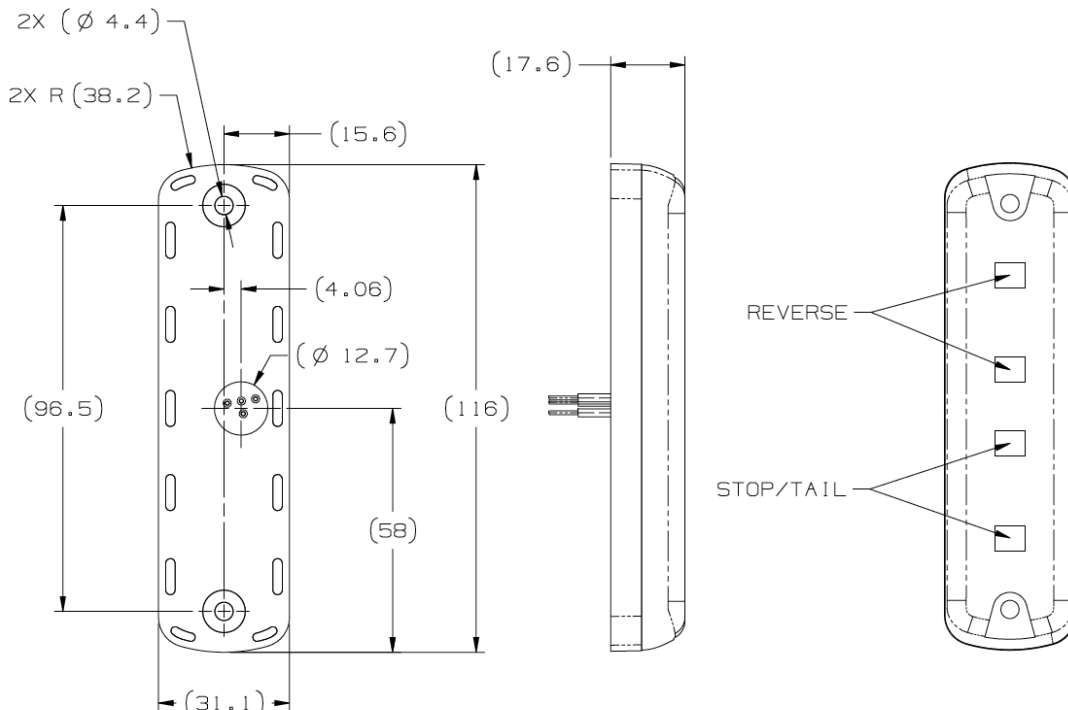
Input Voltage	Brake	Running	Reverse
12VDC	127mA	35mA	148mA
24VDC	64mA	19mA	71mA
36VDC	45mA	15mA	49mA
48VDC	37mA	14mA	41mA

Temperature range: -55°C to 65°C

NEMA 4X; IP66

TORQUE NOTE: Max Torque 6 in-lbs. Use torque-controlled driver or wrench when installing lamp.

Dimensions in mm



Function

WIRE COLOR	FUNCTION	WIRE GA
BLACK	GROUND	22
BLUE	RUNNING	22
RED	REVERSE	22
YELLOW	BRAKE	22