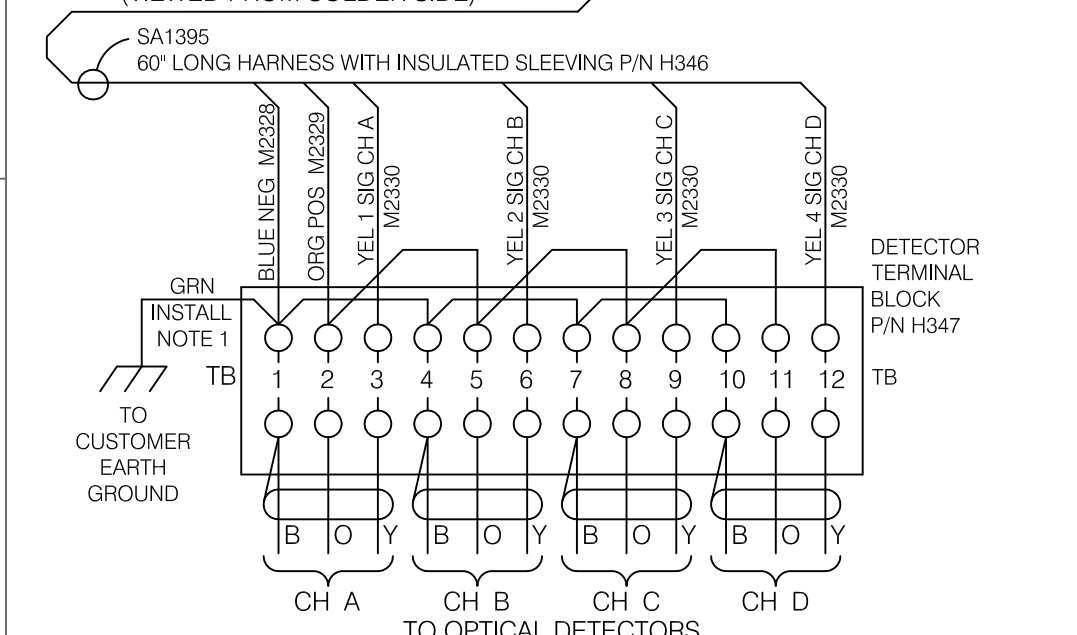
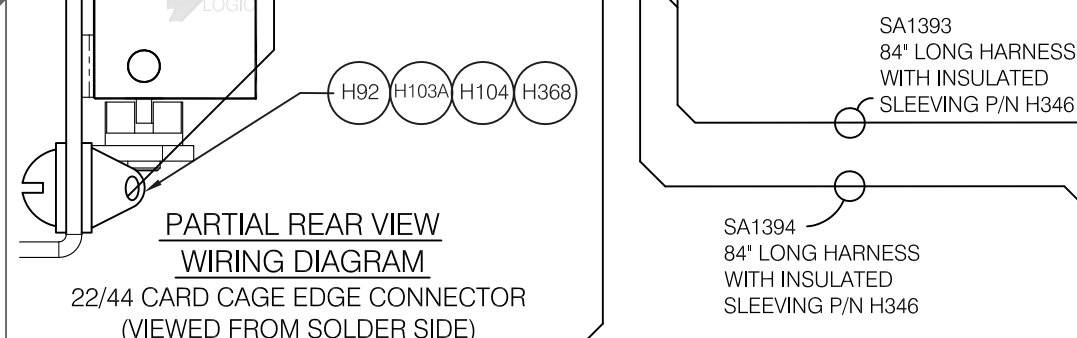
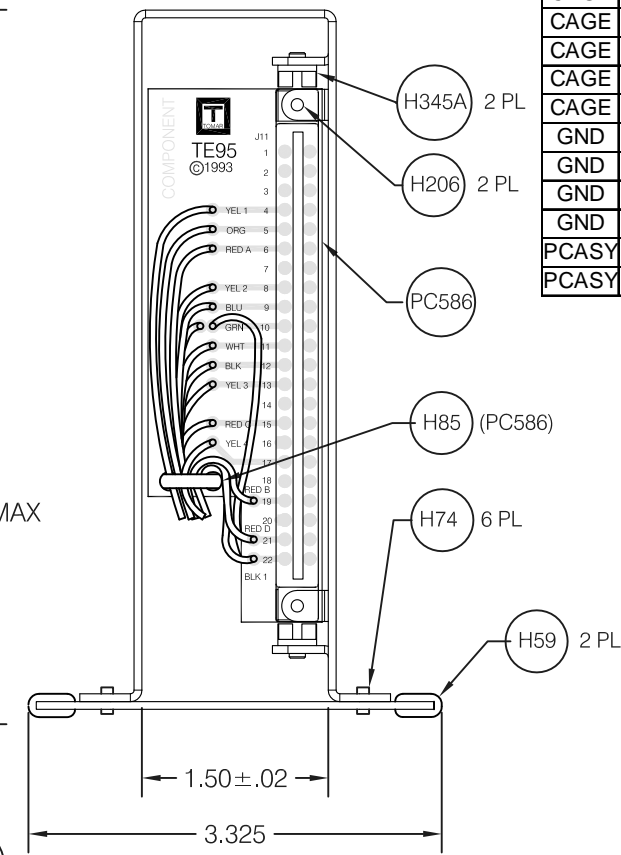
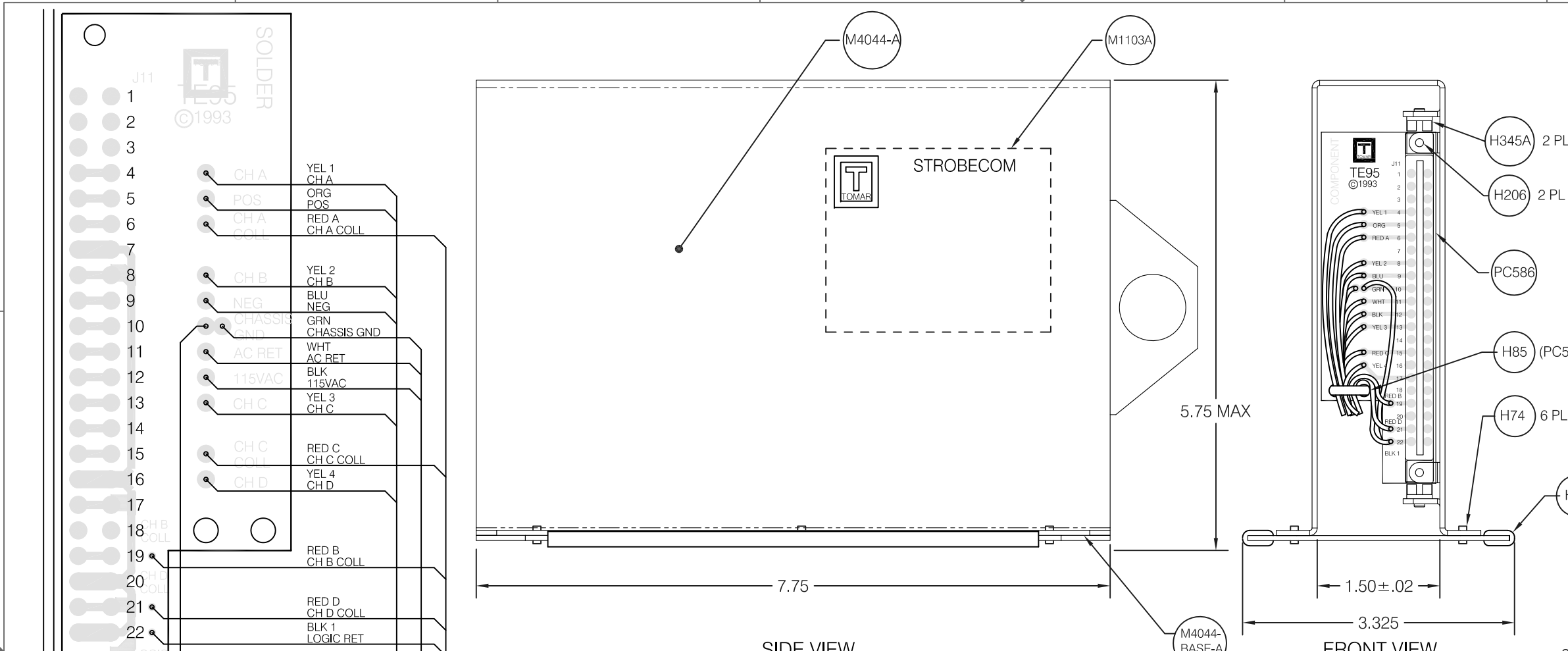
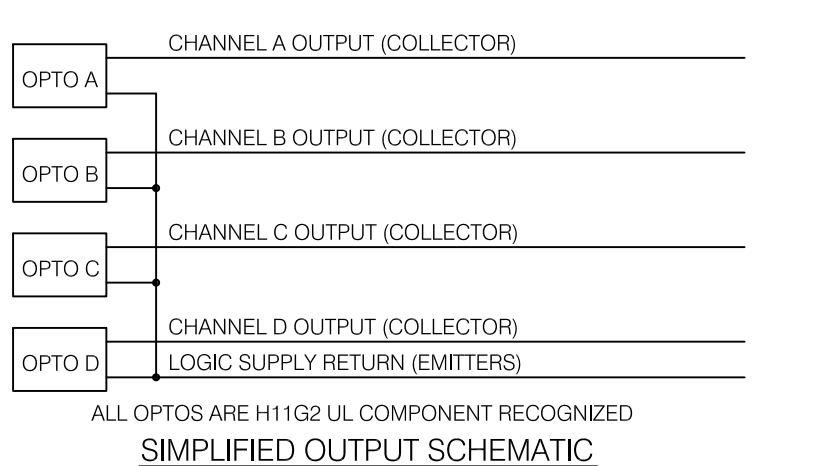


BILL OF MATERIAL			
NAME	QTY	DESCRIPTION	PART NO.
	1	NAMEPLATE 1881 CARD CAGE	M1103A
CAGE	1	RUBBER U-CHANNEL, 2 PCS @ 6 IN	H0059
CAGE	6	POP RIVET .094" DIA X .03-.125	H0074
CAGE	2	CARD GUIDE 4.5" LONG SNAP-IN	H0345A
CAGE	1	ENCLOSURE CARD CAGE ANODIZED	M4044-A
CAGE	1	BASE PLATE CARD CAGE ANODIZED	M4044-BASE-A
GND	1	4-40 HEX NUT ZP 1/4" ACROSS FLATS	H0092
GND	1	#4 SOLDER LUG BENT	H0103A
GND	1	#4 INTERNAL LOCKWASHER ZP	H0104
CASD	1	4-40 X 5/8" SPHMS ZP	H0368
PCASY	2	POP RIVET .094" DIA X .25-.375	H0206
PCASY	1	1881 BACKPLANE PCB	PC0586



WIRE	DESCRIPTION	PART NO.	TERMINAL
RED A	CH A OUTPUT (COLLECTOR)	M2331	A
RED B	CH B OUTPUT (COLLECTOR)	M2331	B
RED C	CH C OUTPUT (COLLECTOR)	M2331	C
RED D	CH D OUTPUT (COLLECTOR)	M2331	D
BLK1	LOGIC RETURN (EMITTERS)	M2332	LOGIC GND
M3161	BLK 115VAC (HOT)	AC+	AC
M2334	WHT AC RETURN (NEUTRAL)	AC -	AC
M2335	GRN SAFETY GROUND (NOTE 1)	GND	GND



SPECIFICATIONS

PHYSICAL SIZE
 HEIGHT.....5.75" MAX (146mm)
 DEPTH.....7.75" (197mm)
 WIDTH.....3.325" (85mm)

MOUNTING
 UNIT CAN STAND OR LIE ON SHELF

ENVIRONMENTAL
 TEMPERATURE (OPERATING)....-30°F TO +165°F
-34°C TO +74°C

INTERFACE CONNECTIONS 4 CHANNEL

1. OUTPUTS ARE SOLID GROUND TRUE <8-0VDC> DURING HI PRIORITY OPTICAL INPUT (PREEMPT).
2. OUTPUTS ARE PULSING AT 6.25 Hz <24-16VDC HIGH TO 8-0VDC LOW> FOR LOW PRIORITY OPERATION.
3. ALL GROUND AND POWER WIRING IS #18 AWG UL 1015.
4. ALL LOGIC AND SIGNAL WIRING IS #20 AWG UL 1007.

- INSTALLATION NOTES**
1. **CAUTION:** ALL STROBECOM SYSTEM GROUND CONNECTIONS MUST BE CONNECTED TO A GOOD EARTH GROUND. FAILURE TO PROPERLY GROUND EQUIPMENT MAY RESULT IN IMPROPER OPERATION AND/OR CREATE AN ELECTRICAL HAZARD.
 2. **CAUTION:** DETERMINE THAT YOUR CONTROLLER IS EQUIPPED WITH THE NECESSARY SOFTWARE PACKAGE BEFORE BEGINNING OPERATION.

REV	DATE	DESCRIPTION	TOMAR ELECTRONICS INC. 2100 WEST OBISPO GILBERT, ARIZONA 85233
02	6/17/93	Added internal width tolerance & dimensions	STROBECOM 1881 CARD CAGE AND HARNESS ASSEMBLY AND WIRING DIAGRAM TOMAR PART NO: FP636B-1 FP_0636B-1_PC TE
03	6/17/93	Added backplane PC9, TE95	
04	2/10/94	Added M1273 & H0368 for mounting H0103 solder lug	
05	4/12/94	Corrected 74°F to 74°C	
06	10/23/01	Split & lengthen AC/Output Harness: Various mods	
07	01/09/08	New Card Cage Design	
07	01/09/08	New Card Cage Design	

		DRAWING NO.	REV
		11229	07
© COPYRIGHT 2001 TOMAR ELECTRONICS INC.		SHT 1 OF 1	