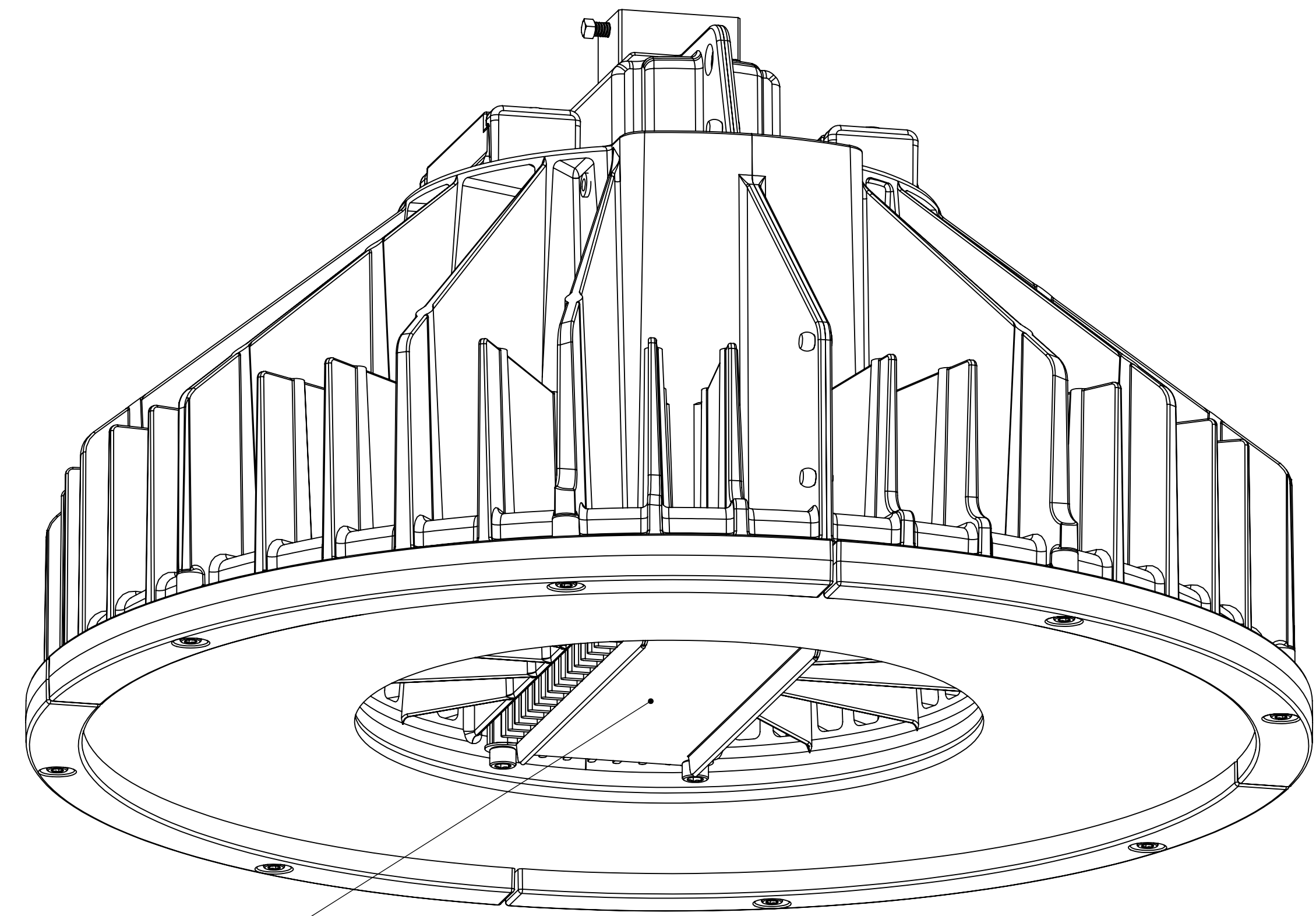
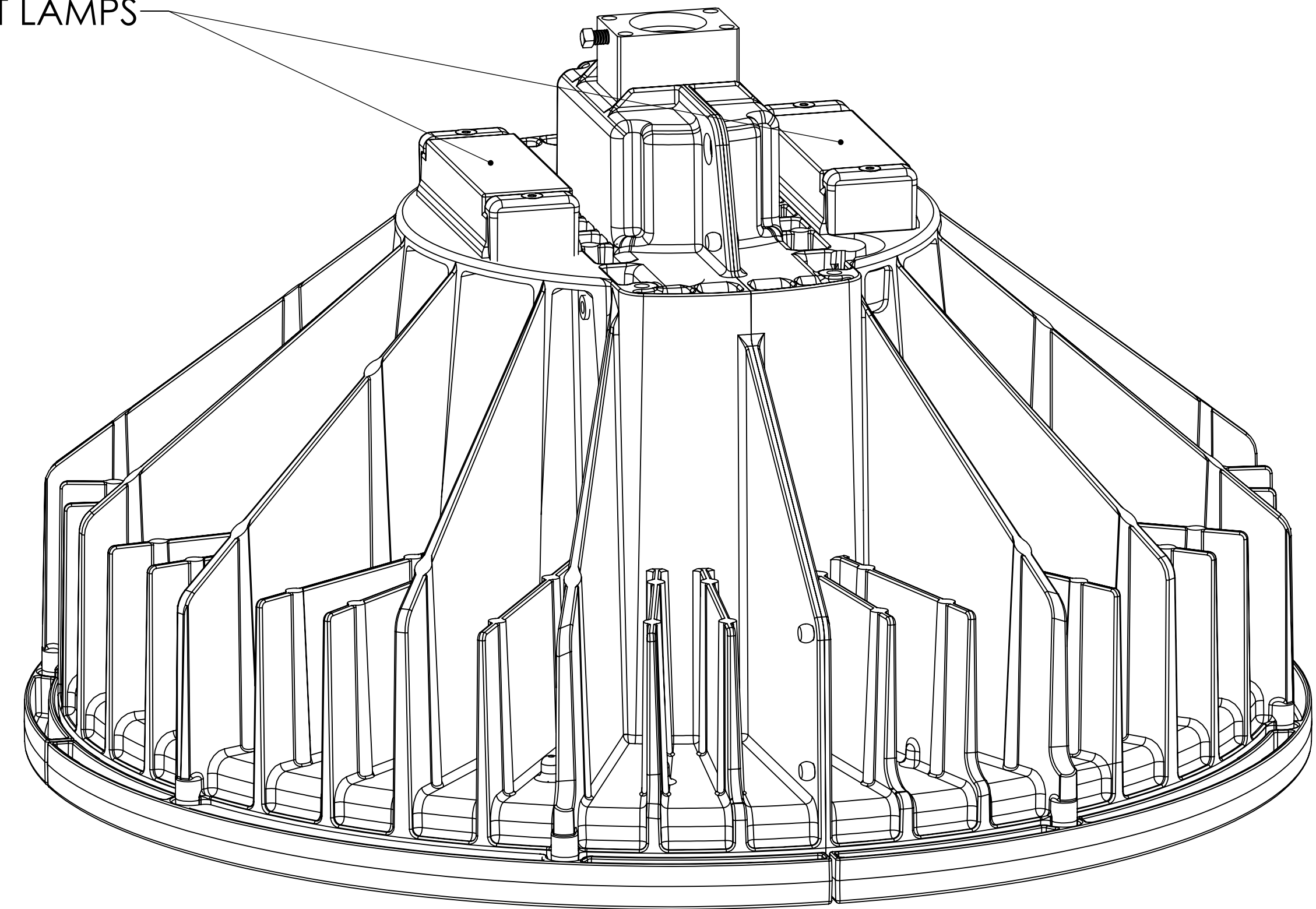


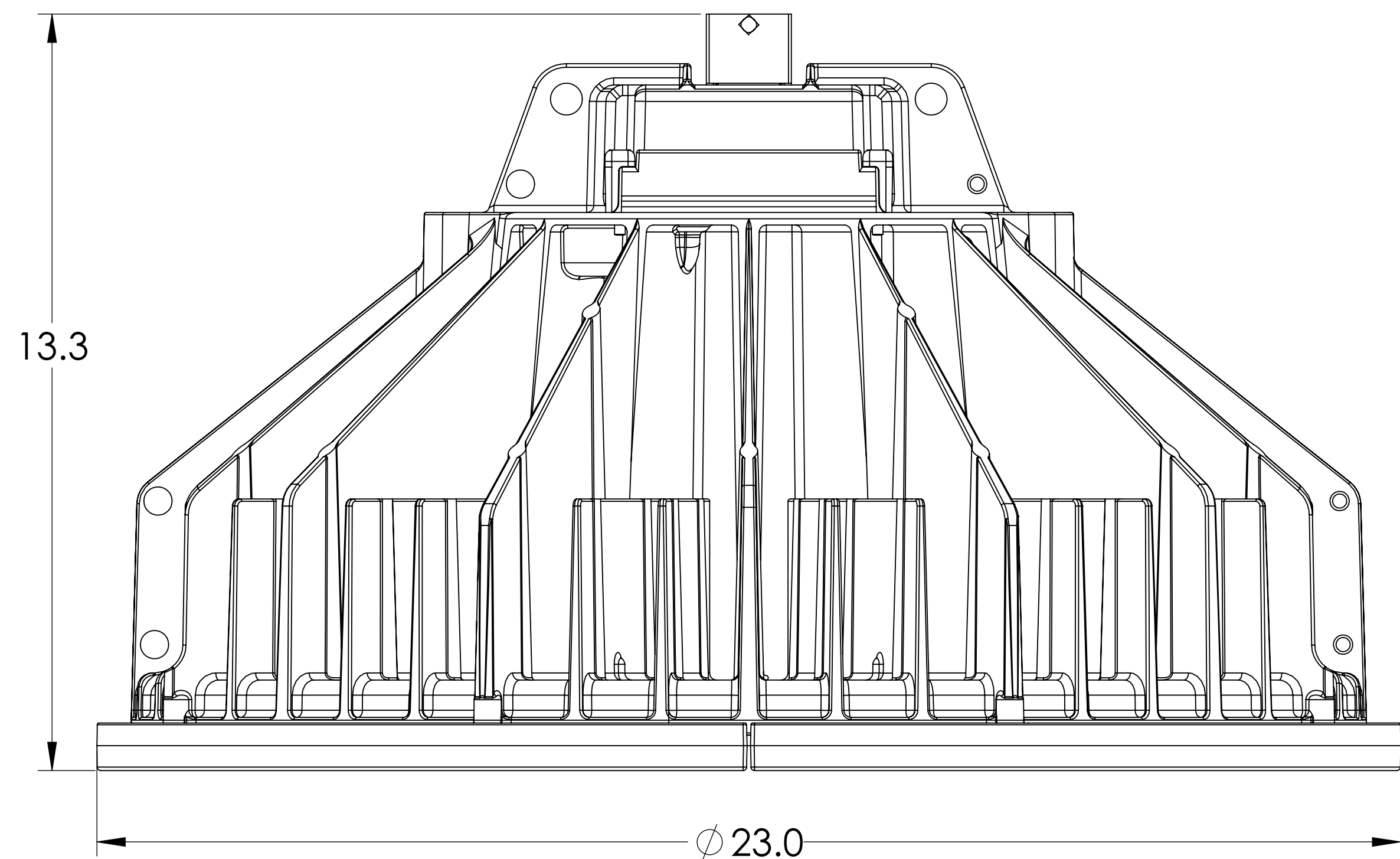
1" NPT

3/4" NPT

OPTIONAL  
UPLIGHT LAMPS



FIELD-REPLACEABLE  
POWER SUPPLY



UNLESS OTHERWISE SPECIFIED:  
DIMENSIONS ARE IN INCHES

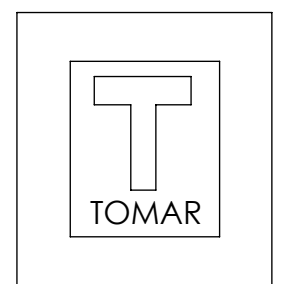
DRAWN TT 9/22/2014  
APPROVED \_\_\_\_\_  
© COPYRIGHT 2011 TOMAR ELECTRONICS  
DO NOT SCALE DRAWING

REV	DATE	DESCRIPTION
00	9/22/2014	

TOMAR ELECTRONICS INC.  
2100 WEST OBISPO  
GILBERT, ARIZONA 85233

T-LUX Bay Light  
TLB-96 Series

TOMAR P/N: TLB96 Series



DWG. NO.	REV.
15012	00
SHEET 1 OF 1	