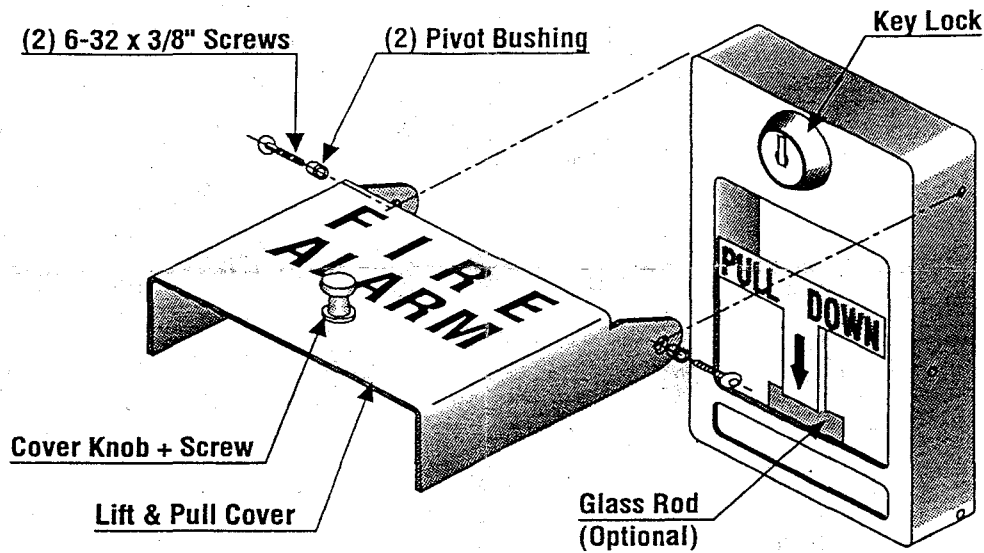


Installation and Service



Installers Note:

The stations are supplied with glass rod removed. It is recommended that the station be activated and tested prior to installation of the glass rod.

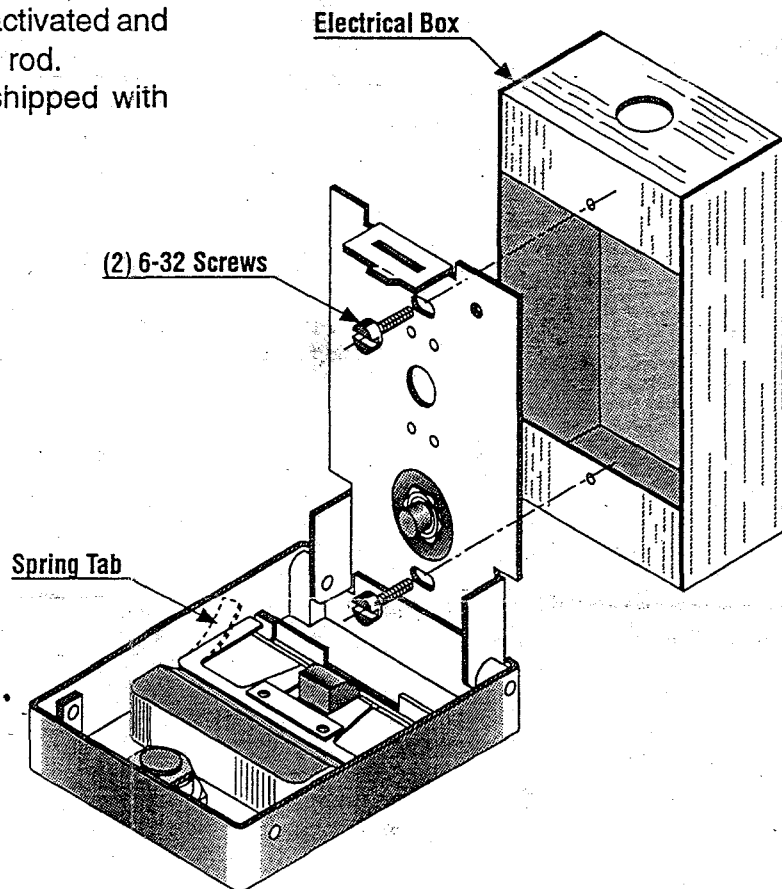
- Glass Rods and Hardware are shipped with station in box.

Replacement of Glass Rod:

If broken, remove debris, then reset T-Handle to Normal Position. Insert one end of new Glass Rod under Spring Tab, then with one finger, lift other end of Spring Tab allowing Glass Rod to slip into place.

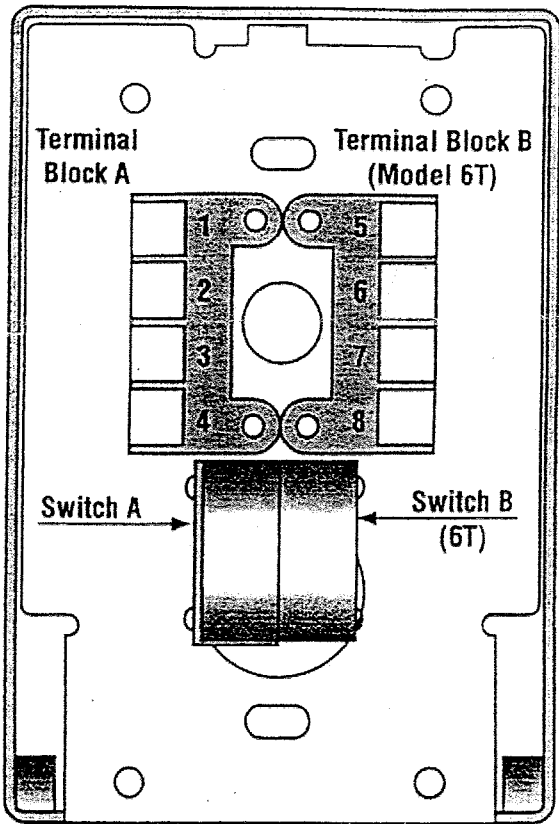
To Close Station:

If hex Screw Model, simply push station closed.
If Key Lock Model, hold station closed then turn key counterclockwise.

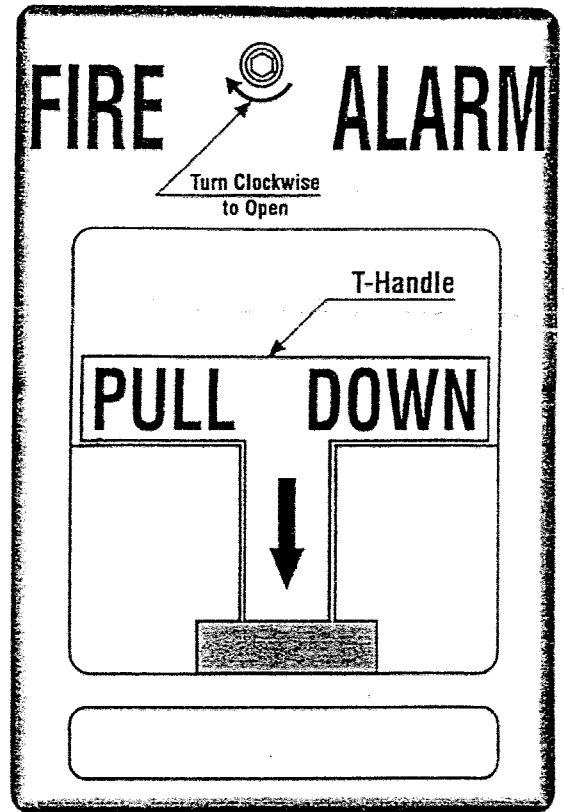


Wiring Instructions on Reverse Side

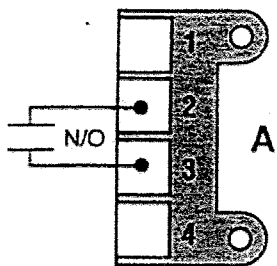
Rear View



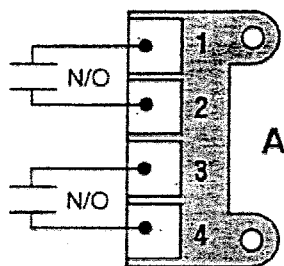
Front View



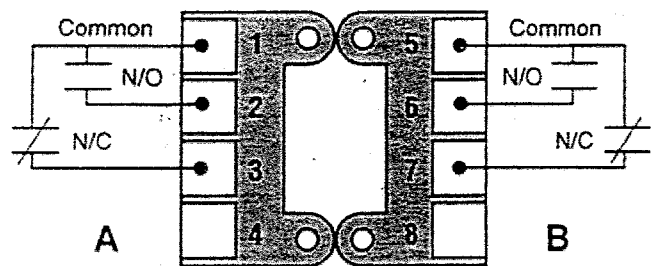
Electrical Wiring



Model 1T
SPST N/O



Model 2T
DPST N/O



Model 6T
DPST N/O - N/C - COM

Model	Terminal Block	Terminal Connecting	Switch Function	Terminal Connections			Contact Rating
				LED	Switch	Phone Jack	
1P	None	None	SPST	Leeds	Leeds	Leeds	10 amp @125 vac
1T	A	2 & 3	SPST	1(+) & 4(-)	1 & 4	1 & 4	10 amp @125 vac
2T	A	1&2 - 3&4	DPST	5(+) & 6(-)	5 & 6	5 & 6	10 amp @125 vac
3T	A	1,2, & 3	SPDT	5(+) & 6(-)	5 & 6	5 & 6	10 amp @125 vac
6T	A & B	1,2,3,5,6,7	DPDT	4(+) & 8(-)	4 & 8	4 & 8	10 amp @125 vac

Phone Jack: 1/4 • Key Switch: 3Amp@125Vac • Led: T1-3/4@24Vdc

Note: all contact ratings shown apply to closed station

Mounting Instructions on Reverse Side