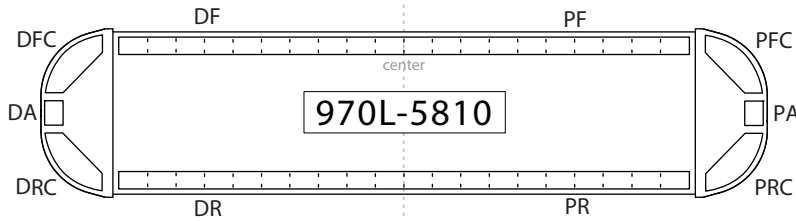


970L SCORPION

LIGHTBAR ORDERING WORKSHEET



The front of the 970L-5810 is limited to 10 lamp positions not including blanks. This means that for bar that is full with no blanks could accommodate 6 full lamps and 4 - 1/2 lamps. Blanks may be 1/2 or full size or any combination of both. LED warning lights are also available for 1/2 lamp positions. Full and 1/2 LED warning lamps are available in red, blue, amber and white LEDs and lens colors.

FRONT LAMP OPTIONS

| | |
|--------------------|--|
| <p>Full</p> | <p>Full Lamp Options Lamp = 3 LED, 6 LED, 12 LED Preemption (center only) or Blank Color = Red, Blue, Amber or White - LED & Lens</p> |
| <p>1/2</p> | <p>1/2 Lamp Options Lamp = LED Takedown (white only), LED Warning Light or Blank Color = LED-Warning - Red, Blue, Amber or White - LED & Lens</p> |

FRONT CONFIGURATIONS

| | | | | | | | | | | | | | |
|----------------|--|--|--|--|---|--|---|---|---|--|--|--|--|
| 970L-01 | | DF5 | DF4 | DF3 | DF2 | DF1 | PF1 | PF2 | PF3 | PF4 | PF5 | | |
| Lamp | | 3 LED <input type="checkbox"/> 6 LED <input type="checkbox"/> 12 LED Dual <input type="checkbox"/> <small>(select 2 colors below)</small> | 3 LED <input type="checkbox"/> 6 LED <input type="checkbox"/> 12 LED Dual <input type="checkbox"/> <small>(select 2 colors below)</small> | 3 LED <input type="checkbox"/> 6 LED <input type="checkbox"/> 12 LED Dual <input type="checkbox"/> <small>(select 2 colors below)</small> | 3 LED <input type="checkbox"/> 6 LED <input type="checkbox"/> 12 LED Dual <input type="checkbox"/> <small>(select 2 colors below)</small> | 3 LED <input type="checkbox"/> 6 LED <input type="checkbox"/> 12 LED Dual <input type="checkbox"/> <small>(select 2 colors below)</small> | 3 LED <input type="checkbox"/> 6 LED <input type="checkbox"/> 12 LED Dual <input type="checkbox"/> <small>(select 2 colors below)</small> | 3 LED <input type="checkbox"/> 6 LED <input type="checkbox"/> 12 LED Dual <input type="checkbox"/> <small>(select 2 colors below)</small> | 3 LED <input type="checkbox"/> 6 LED <input type="checkbox"/> 12 LED Dual <input type="checkbox"/> <small>(select 2 colors below)</small> | 3 LED <input type="checkbox"/> 6 LED <input type="checkbox"/> 12 LED Dual <input type="checkbox"/> <small>(select 2 colors below)</small> | 3 LED <input type="checkbox"/> 6 LED <input type="checkbox"/> 12 LED Dual <input type="checkbox"/> <small>(select 2 colors below)</small> | | |
| Color | | Blank <input type="checkbox"/> | Blank <input type="checkbox"/> | Blank <input type="checkbox"/> | Blank <input type="checkbox"/> | Blank <input type="checkbox"/> | Blank <input type="checkbox"/> | Blank <input type="checkbox"/> | Blank <input type="checkbox"/> | Blank <input type="checkbox"/> | Blank <input type="checkbox"/> | | |
| | | Red <input type="checkbox"/> Blue <input type="checkbox"/> Amber <input type="checkbox"/> White <input type="checkbox"/> Colored Lens <input type="checkbox"/> | Red <input type="checkbox"/> Blue <input type="checkbox"/> Amber <input type="checkbox"/> White <input type="checkbox"/> Colored Lens <input type="checkbox"/> | Red <input type="checkbox"/> Blue <input type="checkbox"/> Amber <input type="checkbox"/> White <input type="checkbox"/> Colored Lens <input type="checkbox"/> | Red <input type="checkbox"/> Blue <input type="checkbox"/> Amber <input type="checkbox"/> White <input type="checkbox"/> Colored Lens <input type="checkbox"/> | Red <input type="checkbox"/> Blue <input type="checkbox"/> Amber <input type="checkbox"/> White <input type="checkbox"/> Colored Lens <input type="checkbox"/> | Red <input type="checkbox"/> Blue <input type="checkbox"/> Amber <input type="checkbox"/> White <input type="checkbox"/> Colored Lens <input type="checkbox"/> | Red <input type="checkbox"/> Blue <input type="checkbox"/> Amber <input type="checkbox"/> White <input type="checkbox"/> Colored Lens <input type="checkbox"/> | Red <input type="checkbox"/> Blue <input type="checkbox"/> Amber <input type="checkbox"/> White <input type="checkbox"/> Colored Lens <input type="checkbox"/> | Red <input type="checkbox"/> Blue <input type="checkbox"/> Amber <input type="checkbox"/> White <input type="checkbox"/> Colored Lens <input type="checkbox"/> | Red <input type="checkbox"/> Blue <input type="checkbox"/> Amber <input type="checkbox"/> White <input type="checkbox"/> Colored Lens <input type="checkbox"/> | | |
| 970L-02 | | DF5 | DF4 | DF3 | DF2 | DF1 | PF1 | PF2 | PF3 | PF4 | PF5 | | |
| Lamp | | 3 LED <input type="checkbox"/> 6 LED <input type="checkbox"/> 12 LED Dual <input type="checkbox"/> <small>(select 2 colors below)</small> | 3 LED <input type="checkbox"/> 6 LED <input type="checkbox"/> 12 LED Dual <input type="checkbox"/> <small>(select 2 colors below)</small> | 3 LED <input type="checkbox"/> 6 LED <input type="checkbox"/> 12 LED Dual <input type="checkbox"/> <small>(select 2 colors below)</small> | BLANK | BLANK | Take Down <input type="checkbox"/> Warning <input type="checkbox"/> Blank <input type="checkbox"/> | Take Down <input type="checkbox"/> Warning <input type="checkbox"/> Blank <input type="checkbox"/> | Take Down <input type="checkbox"/> Warning <input type="checkbox"/> Blank <input type="checkbox"/> | BLANK | 3 LED <input type="checkbox"/> 6 LED <input type="checkbox"/> 12 LED Dual <input type="checkbox"/> <small>(select 2 colors below)</small> | 3 LED <input type="checkbox"/> 6 LED <input type="checkbox"/> 12 LED Dual <input type="checkbox"/> <small>(select 2 colors below)</small> | 3 LED <input type="checkbox"/> 6 LED <input type="checkbox"/> 12 LED Dual <input type="checkbox"/> <small>(select 2 colors below)</small> |
| Color | | Red <input type="checkbox"/> Blue <input type="checkbox"/> Amber <input type="checkbox"/> White <input type="checkbox"/> Colored Lens <input type="checkbox"/> | Red <input type="checkbox"/> Blue <input type="checkbox"/> Amber <input type="checkbox"/> White <input type="checkbox"/> Colored Lens <input type="checkbox"/> | Red <input type="checkbox"/> Blue <input type="checkbox"/> Amber <input type="checkbox"/> White <input type="checkbox"/> Colored Lens <input type="checkbox"/> | BLANK | BLANK | If LED Warning <input type="checkbox"/> Red <input type="checkbox"/> Blue <input type="checkbox"/> Amber <input type="checkbox"/> White <input type="checkbox"/> C-Lens <input type="checkbox"/> | If LED Warning <input type="checkbox"/> Red <input type="checkbox"/> Blue <input type="checkbox"/> Amber <input type="checkbox"/> White <input type="checkbox"/> C-Lens <input type="checkbox"/> | If LED Warning <input type="checkbox"/> Red <input type="checkbox"/> Blue <input type="checkbox"/> Amber <input type="checkbox"/> White <input type="checkbox"/> C-Lens <input type="checkbox"/> | BLANK | Red <input type="checkbox"/> Blue <input type="checkbox"/> Amber <input type="checkbox"/> White <input type="checkbox"/> Colored Lens <input type="checkbox"/> | Red <input type="checkbox"/> Blue <input type="checkbox"/> Amber <input type="checkbox"/> White <input type="checkbox"/> Colored Lens <input type="checkbox"/> | Red <input type="checkbox"/> Blue <input type="checkbox"/> Amber <input type="checkbox"/> White <input type="checkbox"/> Colored Lens <input type="checkbox"/> |
| 970L-03 | | DF5 | DF4 | DF3 | DF2 | DF1 | CENTER PREEMPTION | PF1 | DF2 | PF3 | PF4 | PF5 | |
| Lamp | | 3 LED <input type="checkbox"/> 6 LED <input type="checkbox"/> 12 LED Dual <input type="checkbox"/> <small>(select 2 colors below)</small> | 3 LED <input type="checkbox"/> 6 LED <input type="checkbox"/> 12 LED Dual <input type="checkbox"/> <small>(select 2 colors below)</small> | 3 LED <input type="checkbox"/> 6 LED <input type="checkbox"/> 12 LED Dual <input type="checkbox"/> <small>(select 2 colors below)</small> | Take Down <input type="checkbox"/> Warning <input type="checkbox"/> Blank <input type="checkbox"/> | 3 LED <input type="checkbox"/> 6 LED <input type="checkbox"/> 12 LED Dual <input type="checkbox"/> <small>(select 2 colors below)</small> | Preemption <input type="checkbox"/> Blank <input type="checkbox"/> | 3 LED <input type="checkbox"/> 6 LED <input type="checkbox"/> 12 LED Dual <input type="checkbox"/> <small>(select 2 colors below)</small> | Take Down <input type="checkbox"/> Warning <input type="checkbox"/> Blank <input type="checkbox"/> | 3 LED <input type="checkbox"/> 6 LED <input type="checkbox"/> 12 LED Dual <input type="checkbox"/> <small>(select 2 colors below)</small> | 3 LED <input type="checkbox"/> 6 LED <input type="checkbox"/> 12 LED Dual <input type="checkbox"/> <small>(select 2 colors below)</small> | 3 LED <input type="checkbox"/> 6 LED <input type="checkbox"/> 12 LED Dual <input type="checkbox"/> <small>(select 2 colors below)</small> | |
| Color | | Red <input type="checkbox"/> Blue <input type="checkbox"/> Amber <input type="checkbox"/> White <input type="checkbox"/> Colored Lens <input type="checkbox"/> | Red <input type="checkbox"/> Blue <input type="checkbox"/> Amber <input type="checkbox"/> White <input type="checkbox"/> Colored Lens <input type="checkbox"/> | Red <input type="checkbox"/> Blue <input type="checkbox"/> Amber <input type="checkbox"/> White <input type="checkbox"/> Colored Lens <input type="checkbox"/> | If LED Warning <input type="checkbox"/> Red <input type="checkbox"/> Blue <input type="checkbox"/> Amber <input type="checkbox"/> White <input type="checkbox"/> C-Lens <input type="checkbox"/> | Red <input type="checkbox"/> Blue <input type="checkbox"/> Amber <input type="checkbox"/> White <input type="checkbox"/> Colored Lens <input type="checkbox"/> | | Red <input type="checkbox"/> Blue <input type="checkbox"/> Amber <input type="checkbox"/> White <input type="checkbox"/> Colored Lens <input type="checkbox"/> | If LED Warning <input type="checkbox"/> Red <input type="checkbox"/> Blue <input type="checkbox"/> Amber <input type="checkbox"/> White <input type="checkbox"/> C-Lens <input type="checkbox"/> | Red <input type="checkbox"/> Blue <input type="checkbox"/> Amber <input type="checkbox"/> White <input type="checkbox"/> Colored Lens <input type="checkbox"/> | Red <input type="checkbox"/> Blue <input type="checkbox"/> Amber <input type="checkbox"/> White <input type="checkbox"/> Colored Lens <input type="checkbox"/> | Red <input type="checkbox"/> Blue <input type="checkbox"/> Amber <input type="checkbox"/> White <input type="checkbox"/> Colored Lens <input type="checkbox"/> | |

FRONT CONFIGURATIONS

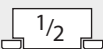
| | | | | | | | | | | | | |
|--|--|--|--|---|---|---|--|--|--|--|--|--|
| 970L-04 | DF5 | DF4 | DF3 | DF2 | DF1 | PF1 | PF2 | PF3 | PF4 | PF5 | | |
| | Lamp | | | Color | | | Lamp | | | Color | | |
| | 3 LED <input type="checkbox"/> 6 LED <input type="checkbox"/> 12 LED Dual <input type="checkbox"/> (select 2 colors below) Blank <input type="checkbox"/> | 3 LED <input type="checkbox"/> 6 LED <input type="checkbox"/> 12 LED Dual <input type="checkbox"/> (select 2 colors below) Blank <input type="checkbox"/> | 3 LED <input type="checkbox"/> 6 LED <input type="checkbox"/> 12 LED Dual <input type="checkbox"/> (select 2 colors below) Blank <input type="checkbox"/> | Scene <input type="checkbox"/> Blank <input type="checkbox"/> | Scene <input type="checkbox"/> Blank <input type="checkbox"/> | Scene <input type="checkbox"/> Blank <input type="checkbox"/> | Scene <input type="checkbox"/> Blank <input type="checkbox"/> | 3 LED <input type="checkbox"/> 6 LED <input type="checkbox"/> 12 LED Dual <input type="checkbox"/> (select 2 colors below) Blank <input type="checkbox"/> | 3 LED <input type="checkbox"/> 6 LED <input type="checkbox"/> 12 LED Dual <input type="checkbox"/> (select 2 colors below) Blank <input type="checkbox"/> | 3 LED <input type="checkbox"/> 6 LED <input type="checkbox"/> 12 LED Dual <input type="checkbox"/> (select 2 colors below) Blank <input type="checkbox"/> | | |
| Red <input type="checkbox"/> Blue <input type="checkbox"/> Amber <input type="checkbox"/> White <input type="checkbox"/> Colored Lens <input type="checkbox"/> | Red <input type="checkbox"/> Blue <input type="checkbox"/> Amber <input type="checkbox"/> White <input type="checkbox"/> Colored Lens <input type="checkbox"/> | Red <input type="checkbox"/> Blue <input type="checkbox"/> Amber <input type="checkbox"/> White <input type="checkbox"/> Colored Lens <input type="checkbox"/> | Spot <input type="checkbox"/> Flood <input type="checkbox"/> Comp <input type="checkbox"/> 13° Tilt-down <input type="checkbox"/> | Spot <input type="checkbox"/> Flood <input type="checkbox"/> Comp <input type="checkbox"/> 13° Tilt-down <input type="checkbox"/> | Spot <input type="checkbox"/> Flood <input type="checkbox"/> Comp <input type="checkbox"/> 13° Tilt-down <input type="checkbox"/> | Spot <input type="checkbox"/> Flood <input type="checkbox"/> Comp <input type="checkbox"/> 13° Tilt-down <input type="checkbox"/> | Red <input type="checkbox"/> Blue <input type="checkbox"/> Amber <input type="checkbox"/> White <input type="checkbox"/> Colored Lens <input type="checkbox"/> | Red <input type="checkbox"/> Blue <input type="checkbox"/> Amber <input type="checkbox"/> White <input type="checkbox"/> Colored Lens <input type="checkbox"/> | Red <input type="checkbox"/> Blue <input type="checkbox"/> Amber <input type="checkbox"/> White <input type="checkbox"/> Colored Lens <input type="checkbox"/> | | | |

| | | | | | | | | | | | | |
|---|--|--|---|--|--|--|--|--|---|--|--|---|
| 970L-05 | DF6 | DF5 | DF4 | DF3 | DF2 | DF1 | PF1 | PF2 | DF3 | PF4 | PF5 | DF6 |
| | Lamp | | | Color | | | Lamp | | | Color | | |
| | Take Down <input type="checkbox"/> Warning <input type="checkbox"/> Blank <input type="checkbox"/> | 3 LED <input type="checkbox"/> 6 LED <input type="checkbox"/> 12 LED Dual <input type="checkbox"/> (select 2 colors below) Blank <input type="checkbox"/> | 3 LED <input type="checkbox"/> 6 LED <input type="checkbox"/> 12 LED Dual <input type="checkbox"/> (select 2 colors below) Blank <input type="checkbox"/> | Take Down <input type="checkbox"/> Warning <input type="checkbox"/> Blank <input type="checkbox"/> | 3 LED <input type="checkbox"/> 6 LED <input type="checkbox"/> 12 LED Dual <input type="checkbox"/> (select 2 colors below) Blank <input type="checkbox"/> | 3 LED <input type="checkbox"/> 6 LED <input type="checkbox"/> 12 LED Dual <input type="checkbox"/> (select 2 colors below) Blank <input type="checkbox"/> | 3 LED <input type="checkbox"/> 6 LED <input type="checkbox"/> 12 LED Dual <input type="checkbox"/> (select 2 colors below) Blank <input type="checkbox"/> | 3 LED <input type="checkbox"/> 6 LED <input type="checkbox"/> 12 LED Dual <input type="checkbox"/> (select 2 colors below) Blank <input type="checkbox"/> | 3 LED <input type="checkbox"/> 6 LED <input type="checkbox"/> 12 LED Dual <input type="checkbox"/> (select 2 colors below) Blank <input type="checkbox"/> | Take Down <input type="checkbox"/> Warning <input type="checkbox"/> Blank <input type="checkbox"/> | 3 LED <input type="checkbox"/> 6 LED <input type="checkbox"/> 12 LED Dual <input type="checkbox"/> (select 2 colors below) Blank <input type="checkbox"/> | 3 LED <input type="checkbox"/> 6 LED <input type="checkbox"/> 12 LED Dual <input type="checkbox"/> (select 2 colors below) Blank <input type="checkbox"/> |
| If LED Warning <input type="checkbox"/> Red <input type="checkbox"/> Blue <input type="checkbox"/> Amber <input type="checkbox"/> White <input type="checkbox"/> C-Lens <input type="checkbox"/> | Red <input type="checkbox"/> Blue <input type="checkbox"/> Amber <input type="checkbox"/> White <input type="checkbox"/> Colored Lens <input type="checkbox"/> | Red <input type="checkbox"/> Blue <input type="checkbox"/> Amber <input type="checkbox"/> White <input type="checkbox"/> Colored Lens <input type="checkbox"/> | If LED Warning <input type="checkbox"/> Red <input type="checkbox"/> Blue <input type="checkbox"/> Amber <input type="checkbox"/> White <input type="checkbox"/> C-Lens <input type="checkbox"/> | Red <input type="checkbox"/> Blue <input type="checkbox"/> Amber <input type="checkbox"/> White <input type="checkbox"/> Colored Lens <input type="checkbox"/> | Red <input type="checkbox"/> Blue <input type="checkbox"/> Amber <input type="checkbox"/> White <input type="checkbox"/> Colored Lens <input type="checkbox"/> | Red <input type="checkbox"/> Blue <input type="checkbox"/> Amber <input type="checkbox"/> White <input type="checkbox"/> Colored Lens <input type="checkbox"/> | Red <input type="checkbox"/> Blue <input type="checkbox"/> Amber <input type="checkbox"/> White <input type="checkbox"/> Colored Lens <input type="checkbox"/> | Red <input type="checkbox"/> Blue <input type="checkbox"/> Amber <input type="checkbox"/> White <input type="checkbox"/> Colored Lens <input type="checkbox"/> | If LED Warning <input type="checkbox"/> Red <input type="checkbox"/> Blue <input type="checkbox"/> Amber <input type="checkbox"/> White <input type="checkbox"/> C-Lens <input type="checkbox"/> | Red <input type="checkbox"/> Blue <input type="checkbox"/> Amber <input type="checkbox"/> White <input type="checkbox"/> Colored Lens <input type="checkbox"/> | Red <input type="checkbox"/> Blue <input type="checkbox"/> Amber <input type="checkbox"/> White <input type="checkbox"/> Colored Lens <input type="checkbox"/> | If LED Warning <input type="checkbox"/> Red <input type="checkbox"/> Blue <input type="checkbox"/> Amber <input type="checkbox"/> White <input type="checkbox"/> C-Lens <input type="checkbox"/> |

| | | | | | | | | | | | | |
|--|--|--|--|--|--|--|--|--|--|--|--|--|
| 970L-06 | DF5 | DF4 | DF3 | DF2 | DF1 | PF1 | PF2 | PF3 | PF4 | PF5 | | |
| | Lamp | | | Color | | | Lamp | | | Color | | |
| | 3 LED <input type="checkbox"/> 6 LED <input type="checkbox"/> 12 LED Dual <input type="checkbox"/> (select 2 colors below) Blank <input type="checkbox"/> | 3 LED <input type="checkbox"/> 6 LED <input type="checkbox"/> 12 LED Dual <input type="checkbox"/> (select 2 colors below) Blank <input type="checkbox"/> | 3 LED <input type="checkbox"/> 6 LED <input type="checkbox"/> 12 LED Dual <input type="checkbox"/> (select 2 colors below) Blank <input type="checkbox"/> | Scene <input type="checkbox"/> Blank <input type="checkbox"/> | 3 LED <input type="checkbox"/> 6 LED <input type="checkbox"/> 12 LED Dual <input type="checkbox"/> (select 2 colors below) Blank <input type="checkbox"/> | 3 LED <input type="checkbox"/> 6 LED <input type="checkbox"/> 12 LED Dual <input type="checkbox"/> (select 2 colors below) Blank <input type="checkbox"/> | Scene <input type="checkbox"/> Blank <input type="checkbox"/> | 3 LED <input type="checkbox"/> 6 LED <input type="checkbox"/> 12 LED Dual <input type="checkbox"/> (select 2 colors below) Blank <input type="checkbox"/> | 3 LED <input type="checkbox"/> 6 LED <input type="checkbox"/> 12 LED Dual <input type="checkbox"/> (select 2 colors below) Blank <input type="checkbox"/> | 3 LED <input type="checkbox"/> 6 LED <input type="checkbox"/> 12 LED Dual <input type="checkbox"/> (select 2 colors below) Blank <input type="checkbox"/> | | |
| Red <input type="checkbox"/> Blue <input type="checkbox"/> Amber <input type="checkbox"/> White <input type="checkbox"/> Colored Lens <input type="checkbox"/> | Red <input type="checkbox"/> Blue <input type="checkbox"/> Amber <input type="checkbox"/> White <input type="checkbox"/> Colored Lens <input type="checkbox"/> | Red <input type="checkbox"/> Blue <input type="checkbox"/> Amber <input type="checkbox"/> White <input type="checkbox"/> Colored Lens <input type="checkbox"/> | Spot <input type="checkbox"/> Flood <input type="checkbox"/> Comp <input type="checkbox"/> 13° Tilt-down <input type="checkbox"/> | Red <input type="checkbox"/> Blue <input type="checkbox"/> Amber <input type="checkbox"/> White <input type="checkbox"/> Colored Lens <input type="checkbox"/> | Red <input type="checkbox"/> Blue <input type="checkbox"/> Amber <input type="checkbox"/> White <input type="checkbox"/> Colored Lens <input type="checkbox"/> | Spot <input type="checkbox"/> Flood <input type="checkbox"/> Comp <input type="checkbox"/> 13° Tilt-down <input type="checkbox"/> | Red <input type="checkbox"/> Blue <input type="checkbox"/> Amber <input type="checkbox"/> White <input type="checkbox"/> Colored Lens <input type="checkbox"/> | Red <input type="checkbox"/> Blue <input type="checkbox"/> Amber <input type="checkbox"/> White <input type="checkbox"/> Colored Lens <input type="checkbox"/> | Red <input type="checkbox"/> Blue <input type="checkbox"/> Amber <input type="checkbox"/> White <input type="checkbox"/> Colored Lens <input type="checkbox"/> | | | |

The rear of the 970L-5309 is limited to 10 lamp positions each not including blanks. This means that for bar that is full with no blanks could accommodate 6 full lamps and 4 - 1/2 lamps. Blanks may be 1/2 or full size or any combination of both. Full and 1/2 LED lamps are available in red, blue, amber and white LED and lens colors. Stop Turn (STT) lamps are also available for either of the two out side, full lamp positions.

REAR LAMP OPTIONS

| | | | |
|---|---|---|--|
|  | Full Lamp Options Lamp = 3 LED, 6 LED, 12 LED, STT or Blank Color = Red, Blue, Amber or White - LED & Lens |  | 1/2 Lamp Options Lamp = LED-HRW, LED-RW Hal, LED-W or Blank Color = LED-W - Red, Blue, Amber or White - LED & Lens Rear Works - White only |
|---|---|---|--|

REAR CONFIGURATIONS

| | | | | | | | | | | | | |
|--|--|--|--|--|--|--|--|--|--|---|---|--|
| 970L-01 | DR5 | DR4 | DR3 | DR2 | DR1 | PR1 | PR2 | PR3 | PR4 | PR5 | | |
| | Lamp | | | Color | | | Lamp | | | Color | | |
| | 3 LED <input type="checkbox"/> 6 LED <input type="checkbox"/> 12 LED Dual <input type="checkbox"/> (select 2 colors below) Blank <input type="checkbox"/> | 3 LED <input type="checkbox"/> 6 LED <input type="checkbox"/> 12 LED Dual <input type="checkbox"/> (select 2 colors below) Blank <input type="checkbox"/> | 3 LED <input type="checkbox"/> 6 LED <input type="checkbox"/> 12 LED Dual <input type="checkbox"/> (select 2 colors below) Blank <input type="checkbox"/> | 3 LED <input type="checkbox"/> 6 LED <input type="checkbox"/> 12 LED Dual <input type="checkbox"/> (select 2 colors below) Blank <input type="checkbox"/> | 3 LED <input type="checkbox"/> 6 LED <input type="checkbox"/> 12 LED Dual <input type="checkbox"/> (select 2 colors below) Blank <input type="checkbox"/> | 3 LED <input type="checkbox"/> 6 LED <input type="checkbox"/> 12 LED Dual <input type="checkbox"/> (select 2 colors below) Blank <input type="checkbox"/> | 3 LED <input type="checkbox"/> 6 LED <input type="checkbox"/> 12 LED Dual <input type="checkbox"/> (select 2 colors below) Blank <input type="checkbox"/> | 3 LED <input type="checkbox"/> 6 LED <input type="checkbox"/> 12 LED Dual <input type="checkbox"/> (select 2 colors below) Blank <input type="checkbox"/> | 3 LED <input type="checkbox"/> 6 LED <input type="checkbox"/> 12 LED Dual <input type="checkbox"/> (select 2 colors below) Blank <input type="checkbox"/> | 3 LED <input type="checkbox"/> 6 LED <input type="checkbox"/> 12 LED Dual <input type="checkbox"/> (select 2 colors below) STT <input type="checkbox"/> Blank <input type="checkbox"/> | 3 LED <input type="checkbox"/> 6 LED <input type="checkbox"/> 12 LED Dual <input type="checkbox"/> (select 2 colors below) STT <input type="checkbox"/> Blank <input type="checkbox"/> | |
| Red <input type="checkbox"/> Blue <input type="checkbox"/> Amber <input type="checkbox"/> White <input type="checkbox"/> Colored Lens <input type="checkbox"/> | Red <input type="checkbox"/> Blue <input type="checkbox"/> Amber <input type="checkbox"/> White <input type="checkbox"/> Colored Lens <input type="checkbox"/> | Red <input type="checkbox"/> Blue <input type="checkbox"/> Amber <input type="checkbox"/> White <input type="checkbox"/> Colored Lens <input type="checkbox"/> | Red <input type="checkbox"/> Blue <input type="checkbox"/> Amber <input type="checkbox"/> White <input type="checkbox"/> Colored Lens <input type="checkbox"/> | Red <input type="checkbox"/> Blue <input type="checkbox"/> Amber <input type="checkbox"/> White <input type="checkbox"/> Colored Lens <input type="checkbox"/> | Red <input type="checkbox"/> Blue <input type="checkbox"/> Amber <input type="checkbox"/> White <input type="checkbox"/> Colored Lens <input type="checkbox"/> | Red <input type="checkbox"/> Blue <input type="checkbox"/> Amber <input type="checkbox"/> White <input type="checkbox"/> Colored Lens <input type="checkbox"/> | Red <input type="checkbox"/> Blue <input type="checkbox"/> Amber <input type="checkbox"/> White <input type="checkbox"/> Colored Lens <input type="checkbox"/> | Red <input type="checkbox"/> Blue <input type="checkbox"/> Amber <input type="checkbox"/> White <input type="checkbox"/> Colored Lens <input type="checkbox"/> | Red <input type="checkbox"/> Blue <input type="checkbox"/> Amber <input type="checkbox"/> White <input type="checkbox"/> Colored Lens <input type="checkbox"/> | Red <input type="checkbox"/> Blue <input type="checkbox"/> Amber <input type="checkbox"/> White <input type="checkbox"/> Colored Lens <input type="checkbox"/> | | |

SIDE LAMP OPTIONS

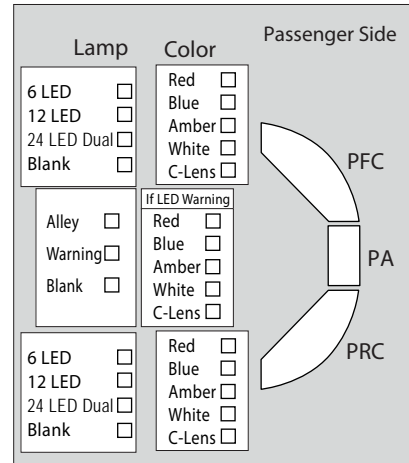
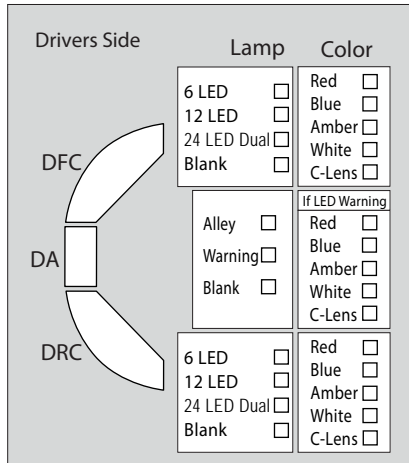


Lamp = 6 LED, 12 LED, 24 LED or Blank
 Color = Red, Blue, Amber or White - LEDs & Lens



Lamp = LED Alley, LED Warning or Blank
 Color = LED Warning - Red, Blue, Amber or White - LEDs & Lens
 LED Alleys - White only

SIDE CONFIGURATIONS



CABLE OPTIONS

- 15' Standard Cable *
- 15' Digital Cable (For use with 940 DCP and Siren only)
- 20' Cable
- 25' Cable
- 30' Cable

* If no option is selected the lightbar will ship with the 15' Standard Cable