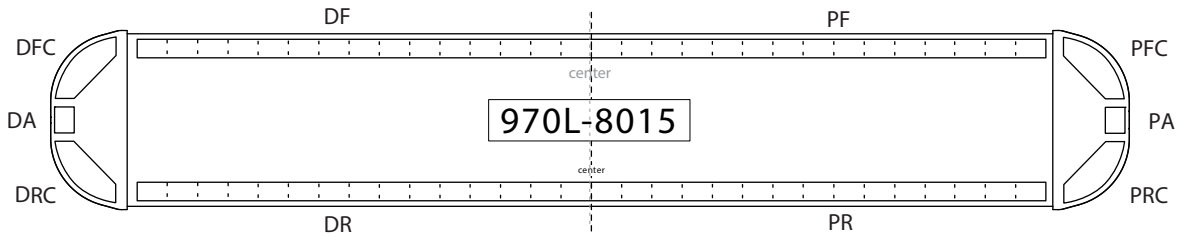


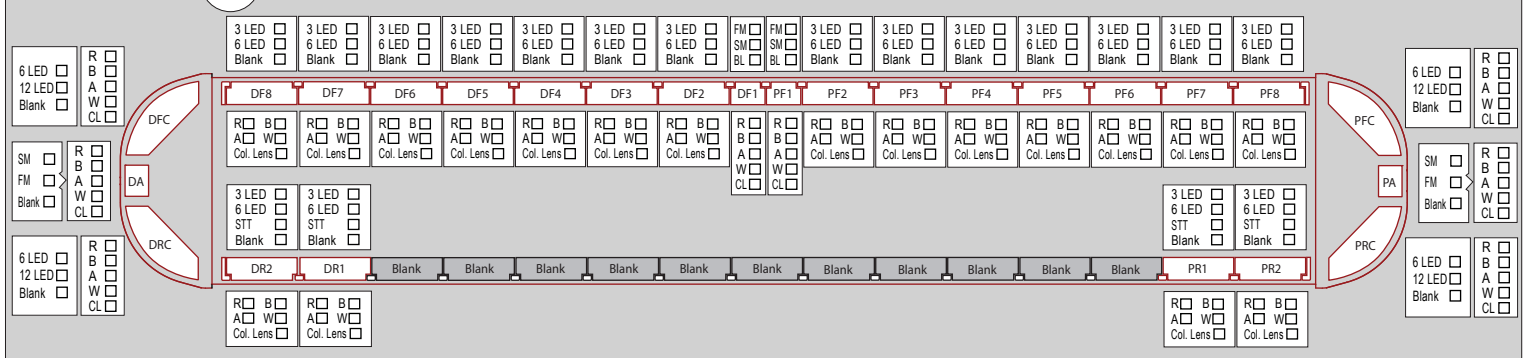


LIGHTBAR ORDERING WORKSHEET

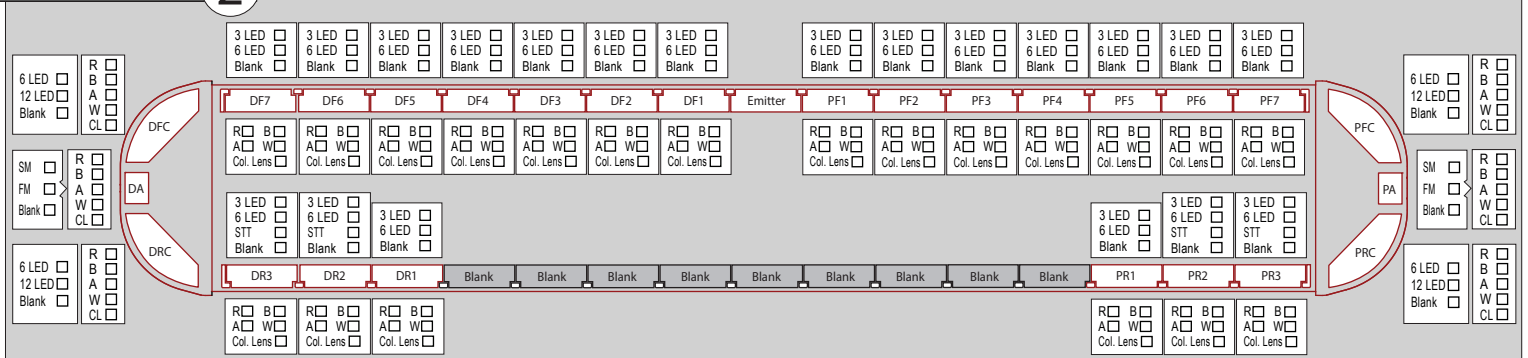


Colors - R=Red B=Blue A=Amber W=White CL & Col. Lens=Colored Lens
 Lamp Modules - FM=Flashing Module SM=Scene Light Module BL=Blank STT=Stop/Turn Lamps

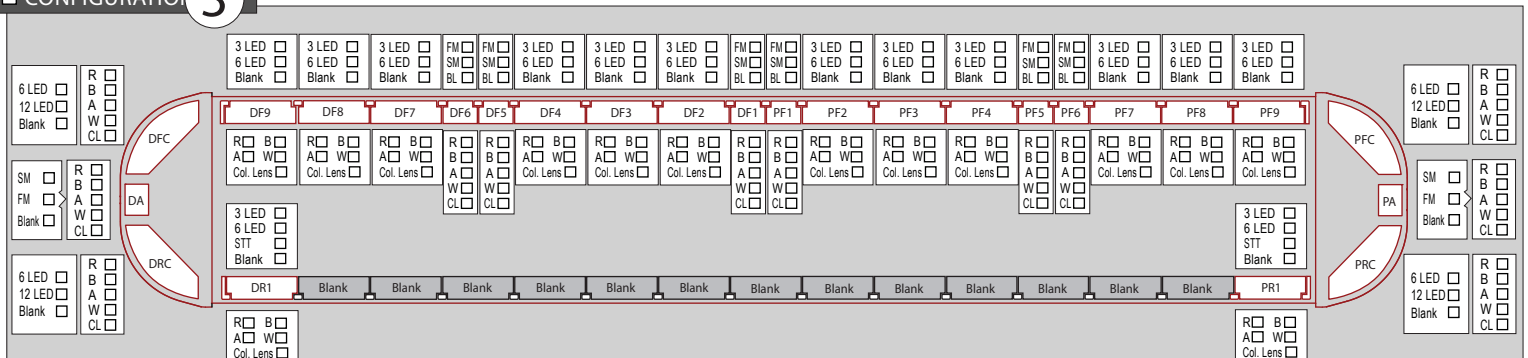
CONFIGURATION 1



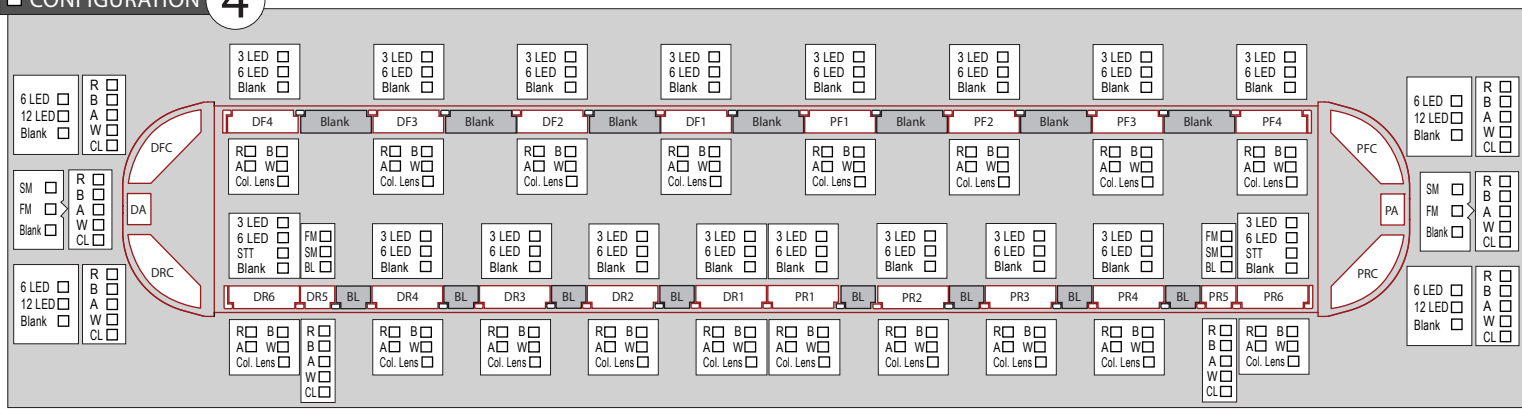
CONFIGURATION 2



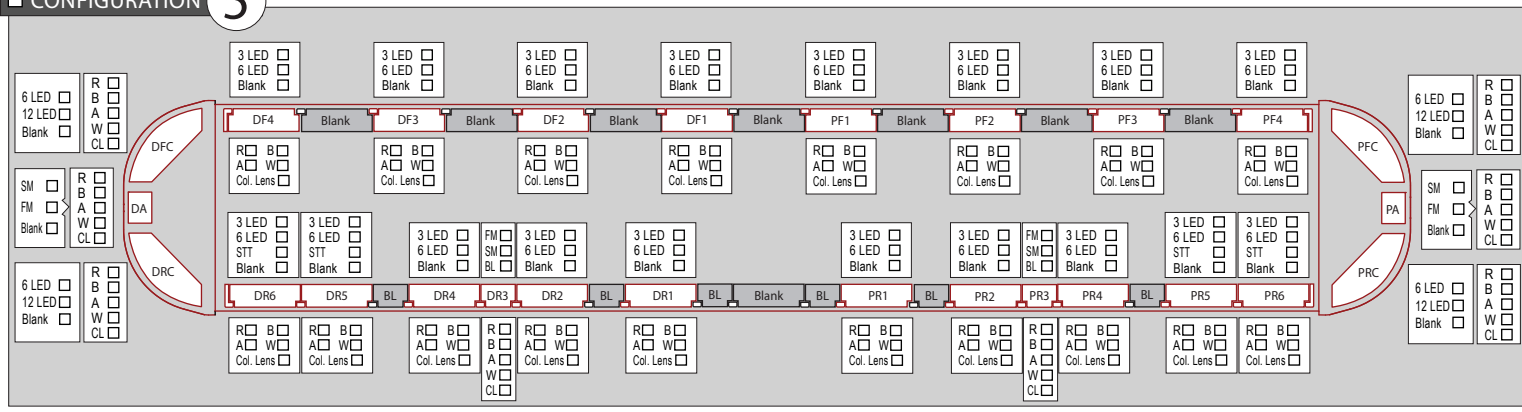
CONFIGURATION 3



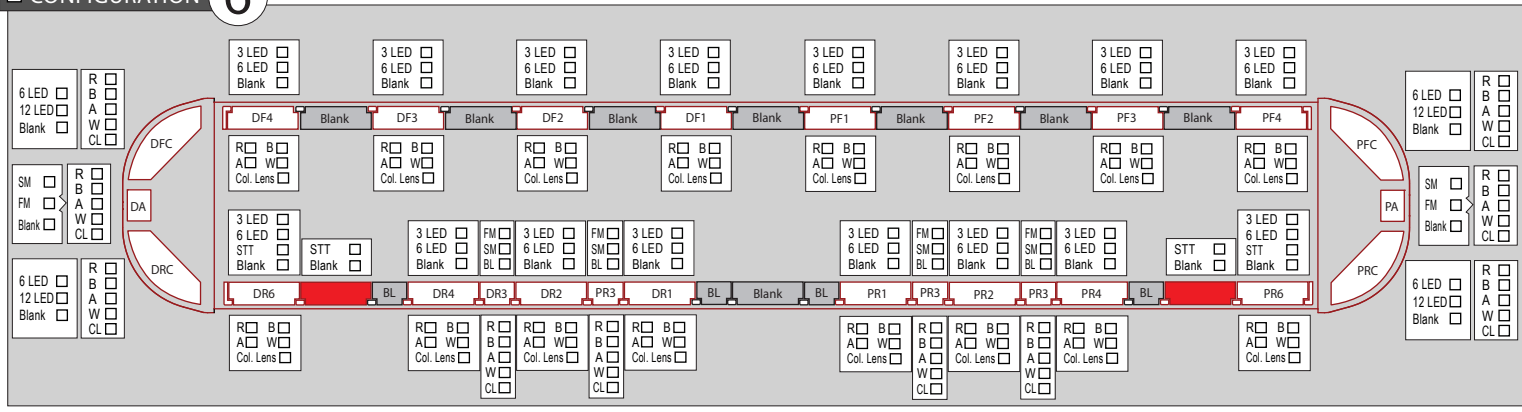
■ CONFIGURATION 4



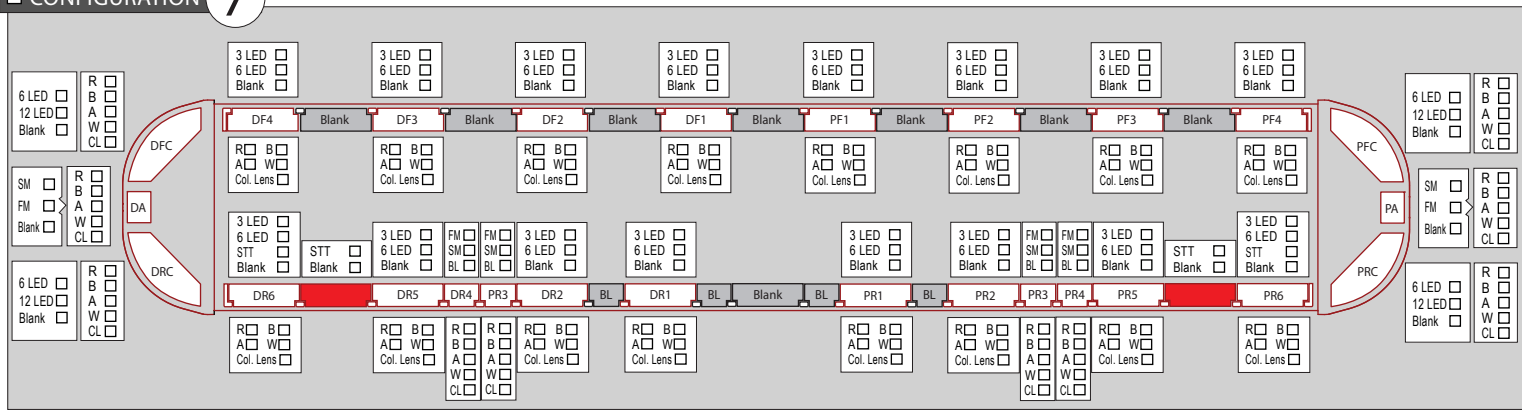
■ CONFIGURATION 5



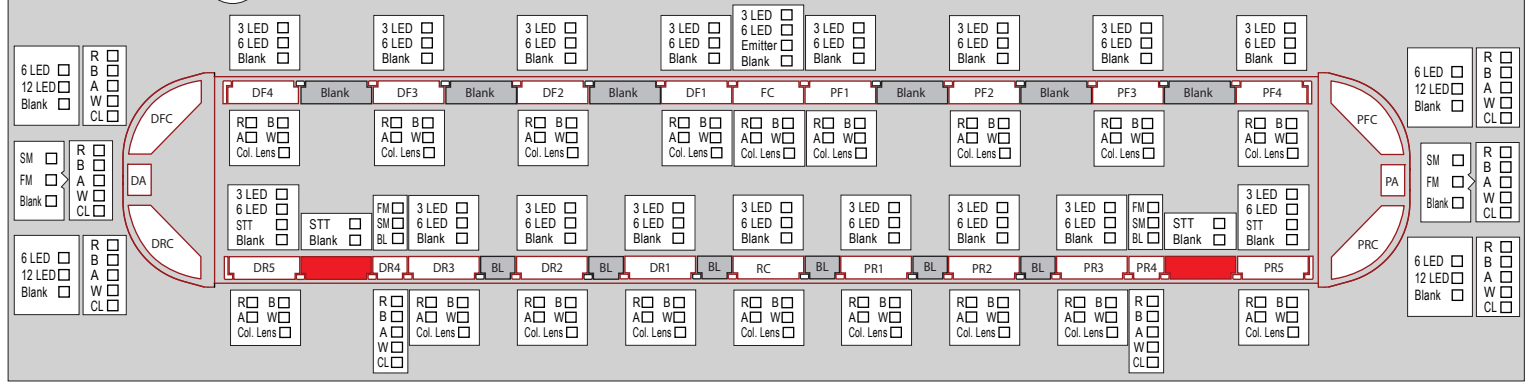
■ CONFIGURATION 6



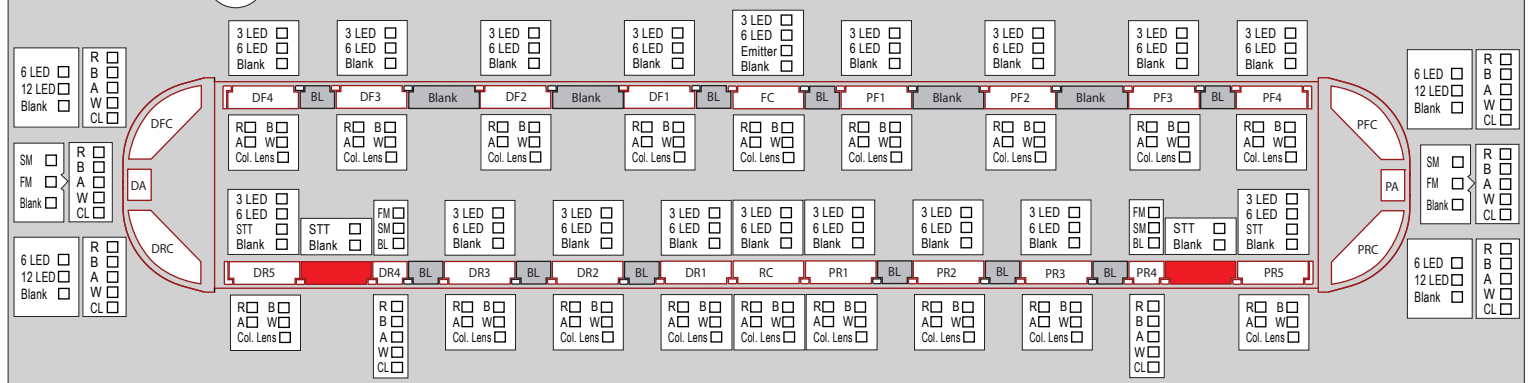
■ CONFIGURATION 7



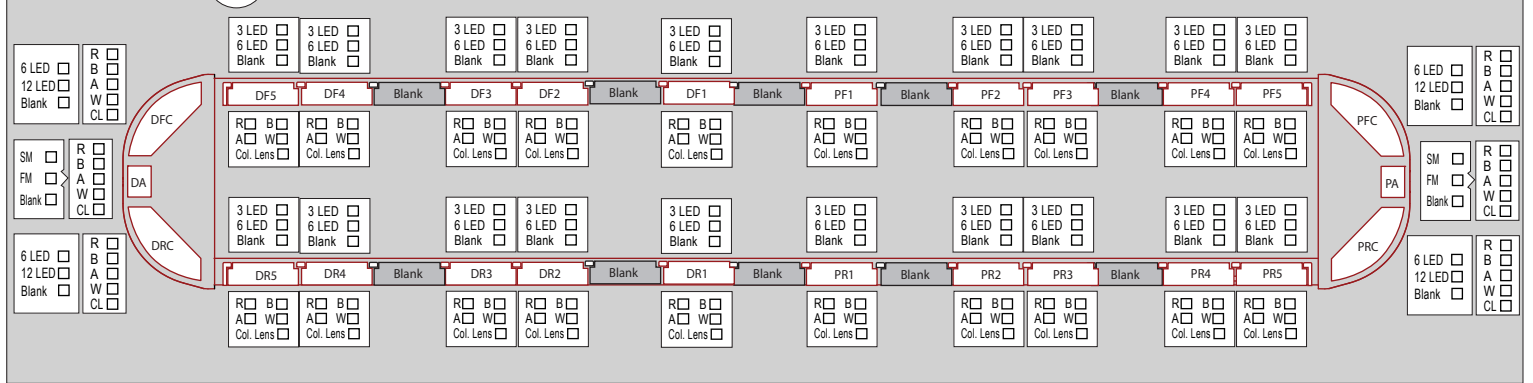
■ CONFIGURATION 8



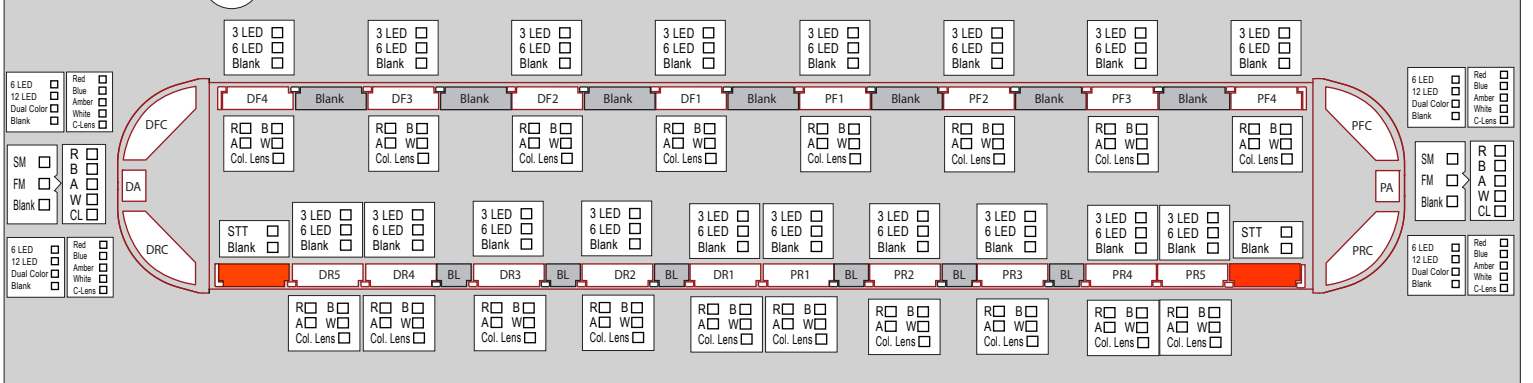
■ CONFIGURATION 9



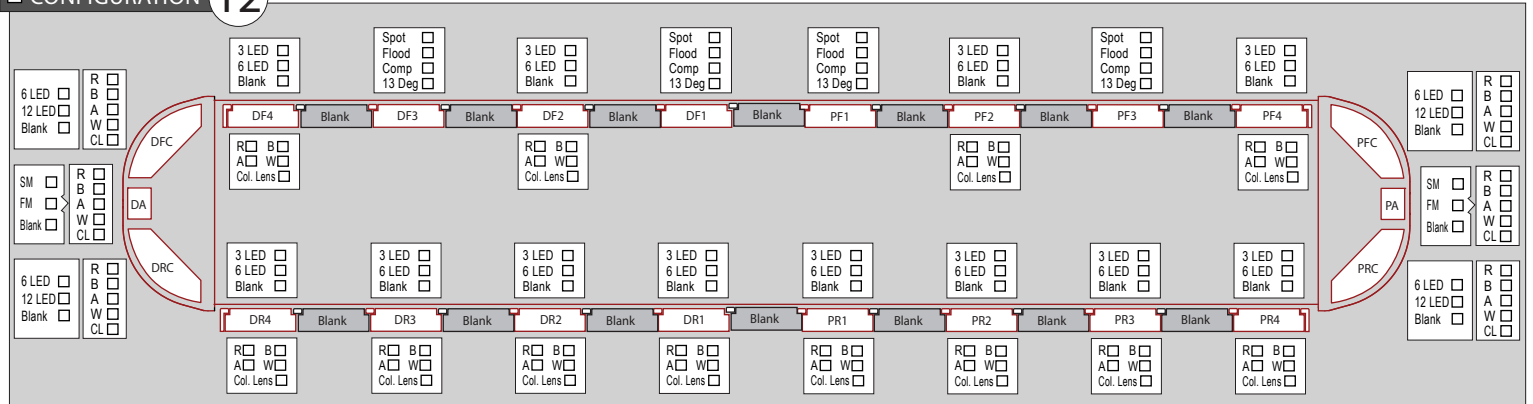
■ CONFIGURATION 10



■ CONFIGURATION 11



■ CONFIGURATION 12



■ CONFIGURATION 13

