

MODEL FSEMIT-120 FIRE STATION EMITTER CONTROL SYSTEM INSTALLATION INSTRUCTIONS

FIRE STATION EMITTER - INSTALLATION INSTRUCTIONS

SAFETY NOTICE WARNING - FAILURE TO FOLLOW ALL SAFETY PRECAUTIONS AND INSTRUCTIONS MAY RESULT IN PROPERTY DAMAGE, SERIOUS INJURY OR DEATH TO YOU OR OTHERS.

SAFETY MESSAGE TO INSTALLERS, USERS, AND MAINTENANCE PERSONNEL.

IT IS THE RESPONSIBILITY OF THE INSTALLER, TO INSTALL THIS PRODUCT, IN COMPLIANCE WITH ALL GOVERNMENT, STATE, TOWN OR ANY LOCAL CODES THAT HAVE JURISDICTION OVER THIS INSTALLATION.

IT IS IMPORTANT TO FOLLOW ALL INSTRUCTIONS SHIPPED WITH THIS PRODUCT. THIS DEVICE IS TO BE INSTALLED BY A TRAINED INSTALLER WHO IS THOROUGHLY FAMILIAR WITH THE NATIONAL & LOCAL ELECTRIC CODES.

THE SELECTION FOR THE MOUNTING LOCATION FOR THE DEVICE, ITS CONTROLS AND THE ROUTING OF THE WIRING IS TO BE ACCOMPLISHED UNDER THE DIRECTION OF THE FACILITIES ENGINEER. IN ADDITION, LISTED BELOW ARE SOME OTHER IMPORTANT SAFETY INSTRUCTIONS AND PRECAUTION YOU SHOULD FOLLOW.

- READ AND UNDERSTAND ALL INSTRUCTIONS BEFORE INSTALLING OR OPERATING THIS EQUIPMENT.
- DO NOT CONNECT THIS DEVICE TO THE SYSTEM WHEN THE POWER IS TURNED ON.
- AFTER INSTALLATION, ENSURE THAT ALL SCREWS AND THREADED JOINTS ARE PROPERLY TIGHTENED.
- AFTER INSTALLATION, TEST THE SYSTEM REGULARLY TO ENSURE THAT IT IS OPERATING PROPERLY.
- AFTER INSTALLATION AND TESTING IS COMPLETE, PROVIDE A COPY OF THIS INSTRUCTION SHEET TO ALL OPERATING PERSONNEL.

1) UNPACKING

AFTER UNPACKING THE EQUIPMENT, EXAMINE IT FOR DAMAGE THAT MAY HAVE OCCURRED IN TRANSIT. IF THE EQUIPMENT HAS BEEN DAMAGED, DO NOT ATTEMPT TO INSTALL OR OPERATE IT. FILE A CLAIM IMMEDIATELY WITH THE CARRIER STATING THE EXTENT OF THE DAMAGE. CAREFULLY CHECK ALL ENVELOPS, SHIPPING LABELS AND TAGS BEFORE REMOVING OR DESTROYING THEM.

2) MOUNTING AND WIRING

A. 3060 EMITTER

MOUNT THE 3060 EMITTER IN A LOCATION THAT WILL ALLOW IT TO BE AIMED TO ACTIVATE THE DESIRED INTERSECTION PREEMPTION EQUIPMENT.

B. CUSTOMER PROVIDED - PUSH BUTTON SWITCH

MOUNT THE CUSTOMER PROVIDED PUSH BUTTON SWITCH IN A LOCATION WHICH IS EASILY ACCESSED BY NECESSARY PERSONNEL.

C. FIRE STATION EMITTER SYSTEM

MOUNT THE FIRE STATION EMITTER SYSTEM IN A DRY INDOOR LOCATION. ROUTE 120 VAC INPUT VOLTAGE, PUSH BUTTON SWITCH AND THE 3060 EMITTER INPUT AS TERMINATED IN THE DIAGRAM OF THE FIRE STATION EMITTER SYSTEM SHOWN.

TOMAR Electronics, Inc.

2100 West Obispo
Gilbert, Arizona 85233

(480) 497-4400 (800) 338-3133

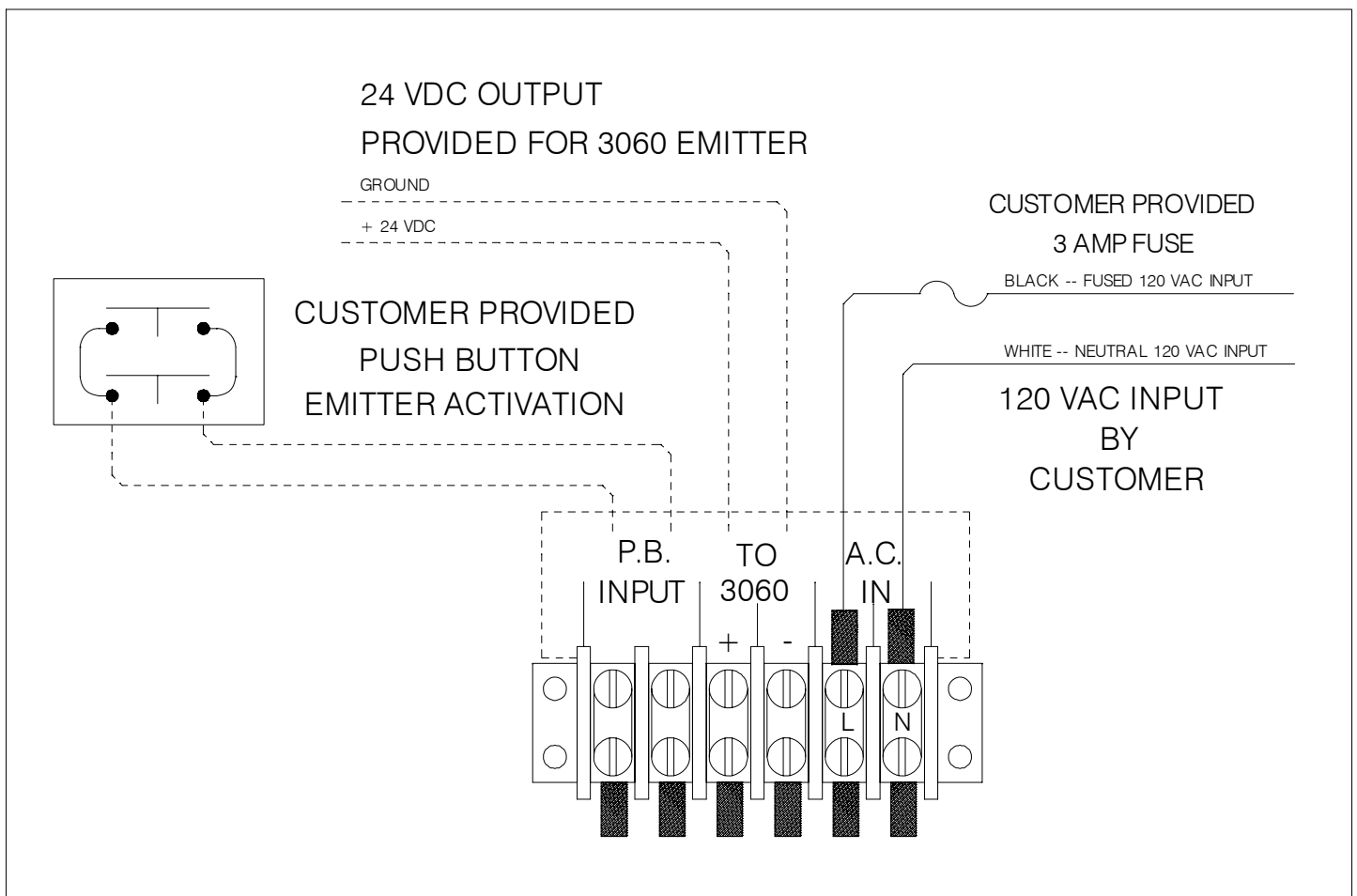
FAX (480) 497-4416 (800) 688-6627

E-mail: sales@tomar.com www.tomar.com

FIRE STATION EMITTER SYSTEM TERMINATIONS

D. FIRE STATION EMITTER SYSTEM

- TERMINATE 120 VAC INPUT VOLTAGE VIA 3 AMP FUSE
- TERMINATE PUSH BUTTON SWITCH
- TERMINATE 3060 EMITTER - USE RED AND BLACK. UNUSED WIRES ARE BLUE, WHITE, GREEN.



WIRING DIAGRAM

TOMAR Electronics, Inc.

2100 West Obispo
Gilbert, Arizona 85233
(480) 497-4400 (800) 338-3133
FAX (480) 497-4416 (800) 688-6627
E-mail: sales@tomar.com www.tomar.com